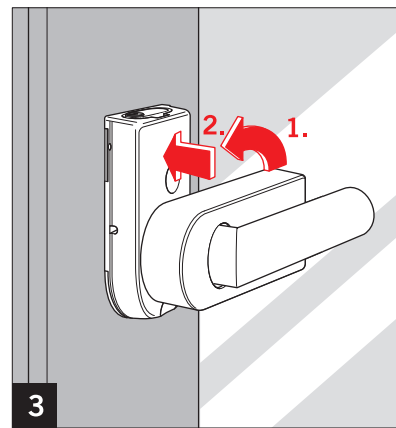
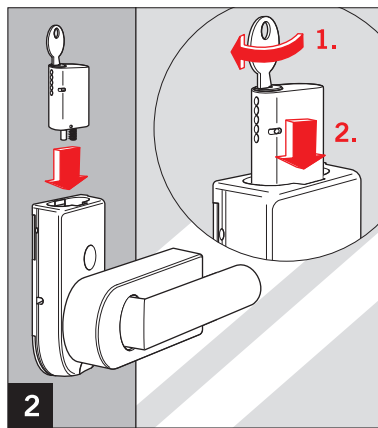
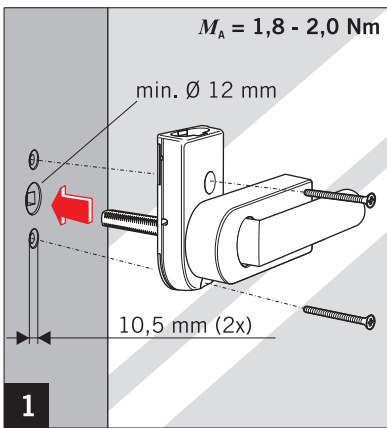
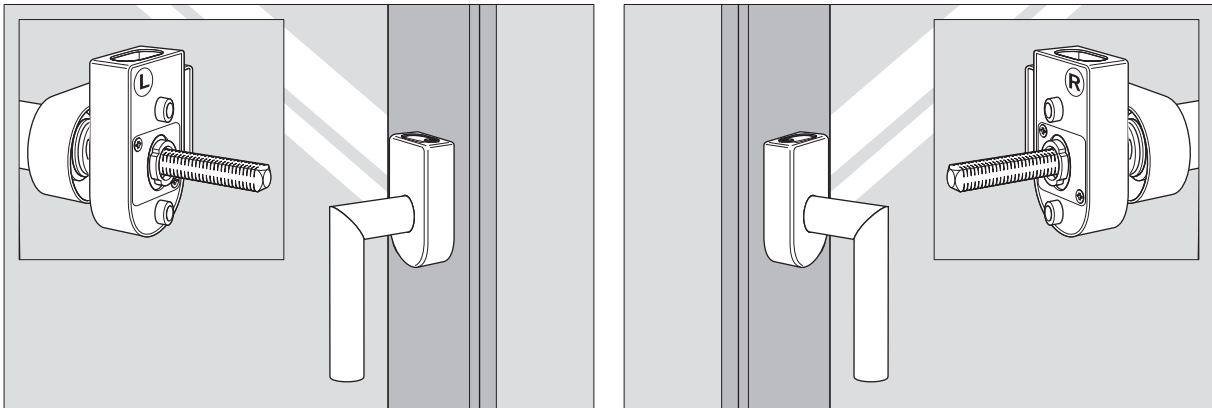


Kipp vor Dreh / tilt before turn

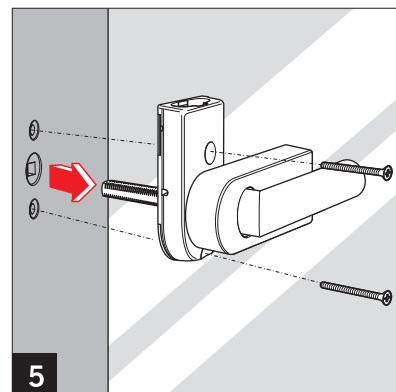
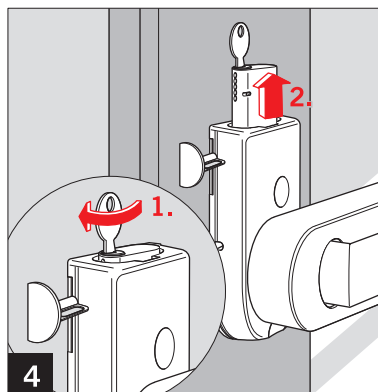
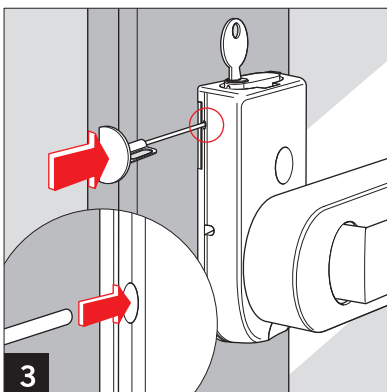
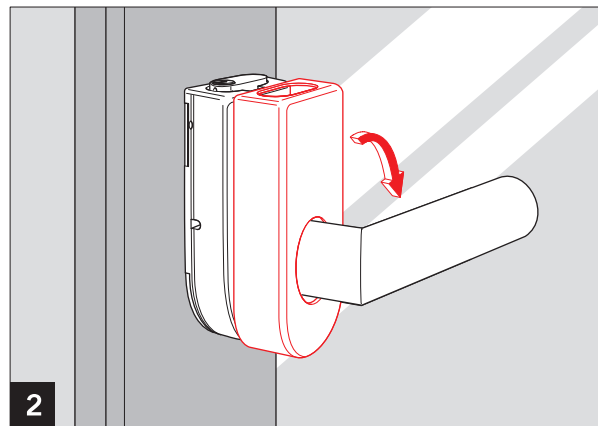
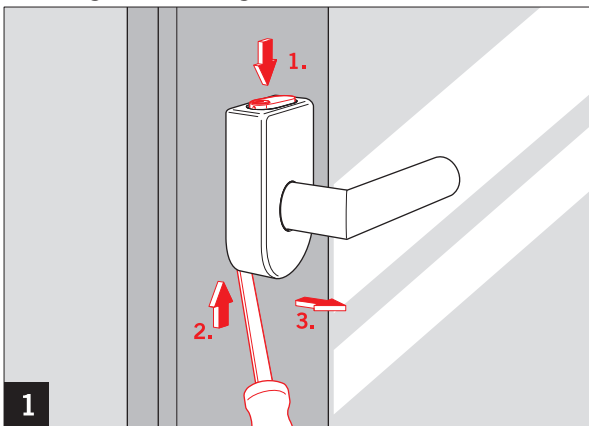
Best.-Nr. 900500 56112, 08/13

Montage / mounting



M_A = Richtwert / Guide value

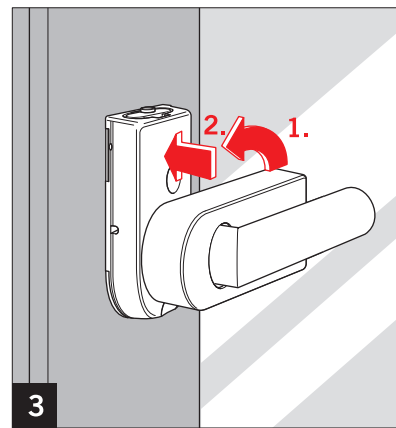
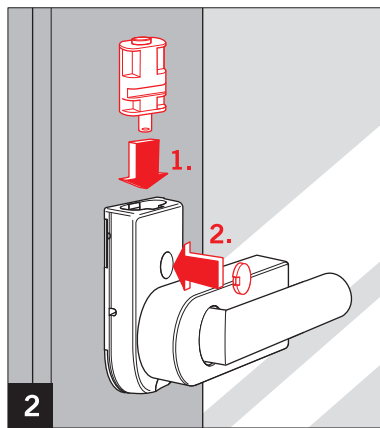
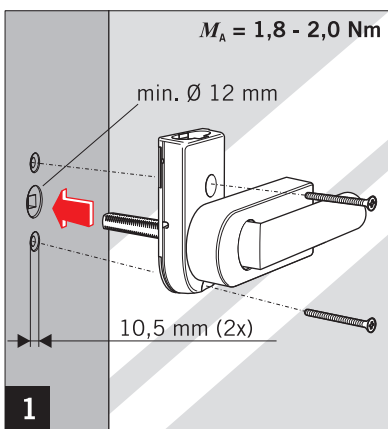
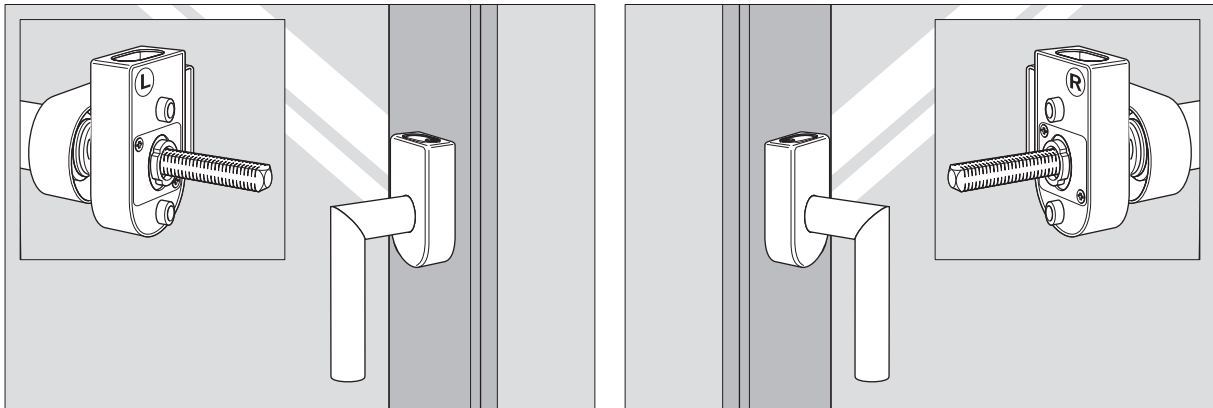
Demontage / dismounting



SI 4099

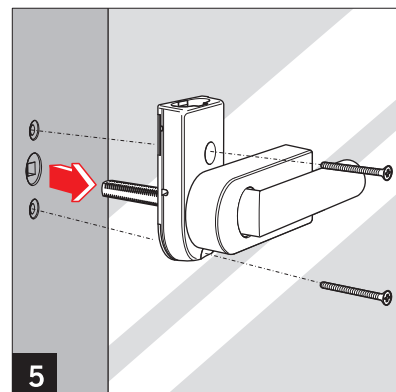
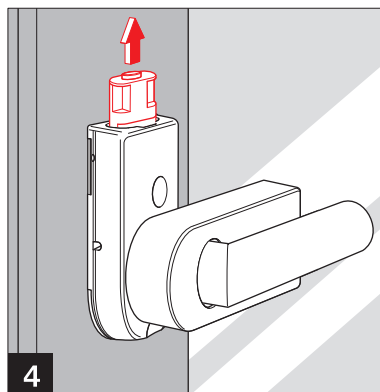
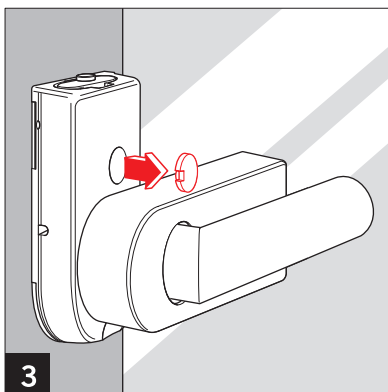
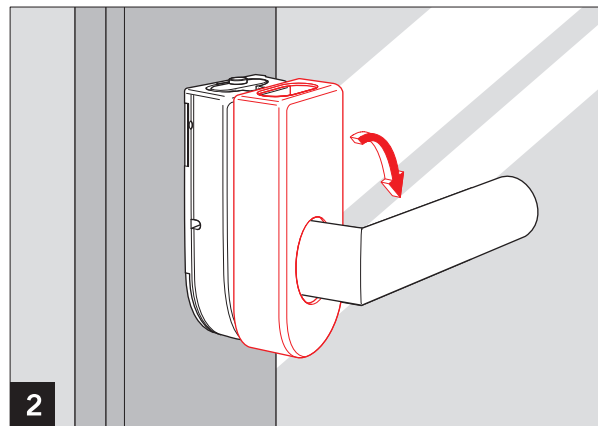
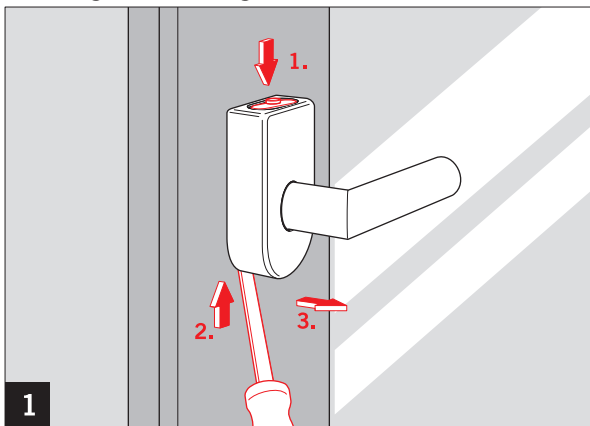
Kipp vor Dreh / tilt before turn

Montage / mounting



M_A = Richtwert / Guide value

Demontage / dismounting



Änderungen vorbehalten
Subject to change without notice