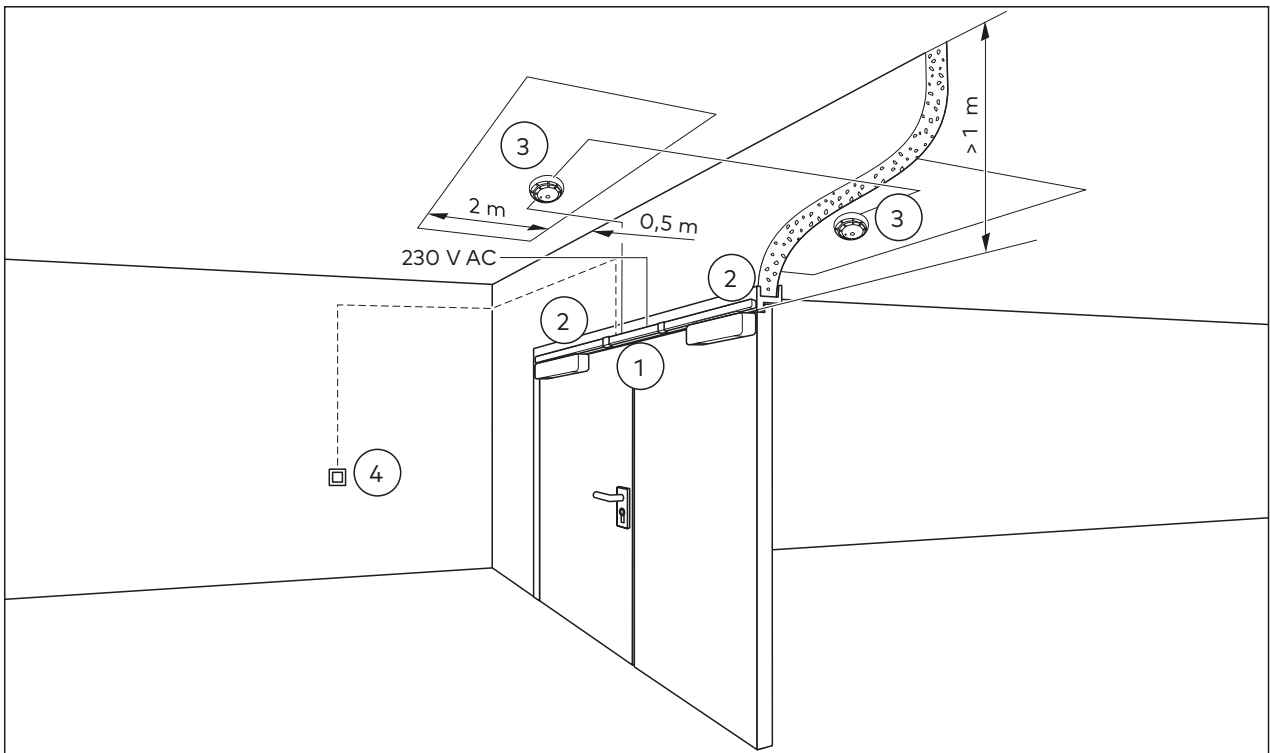
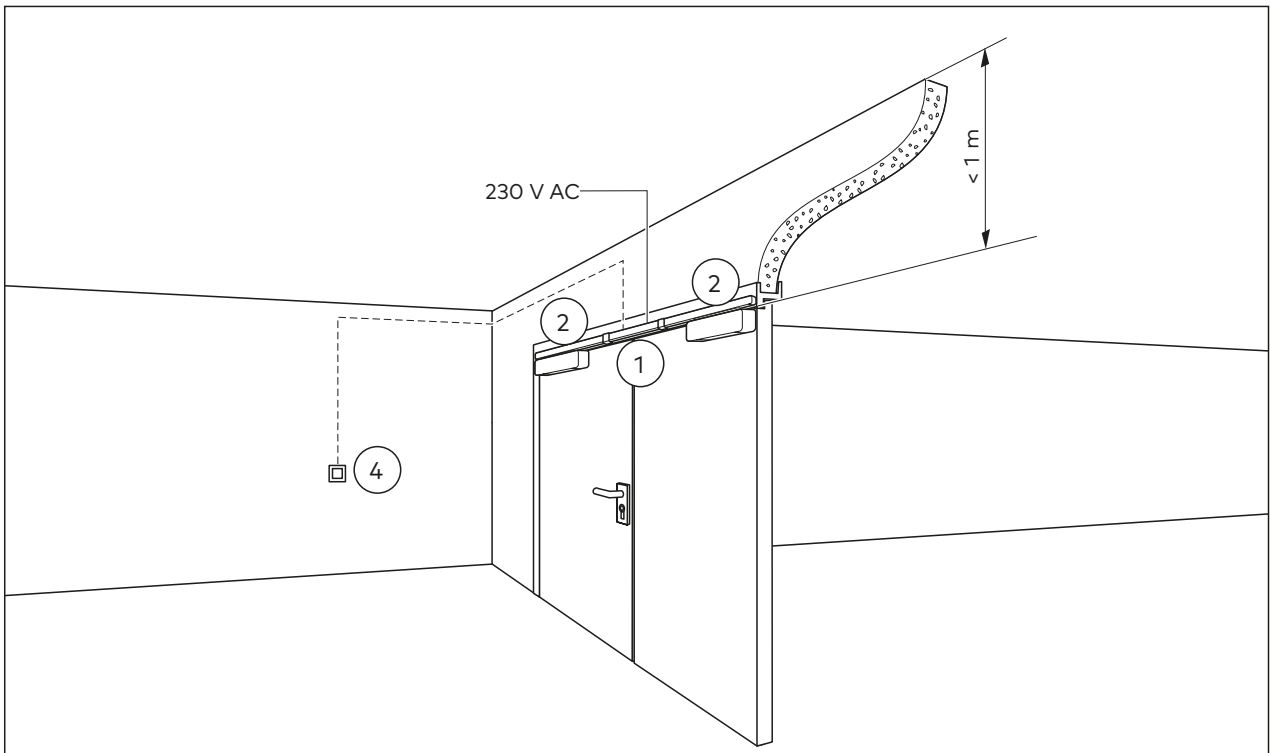
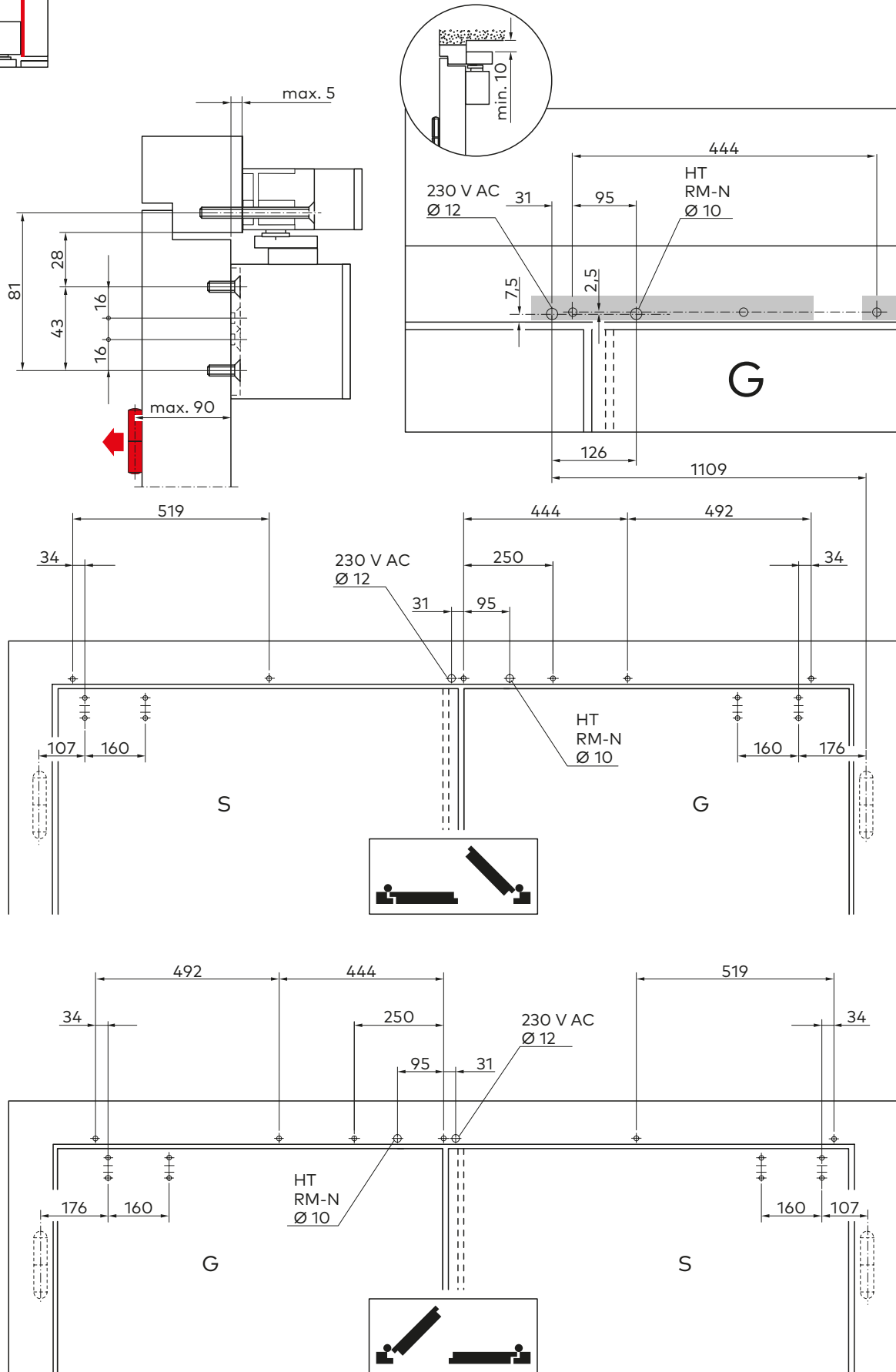
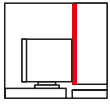


2.4

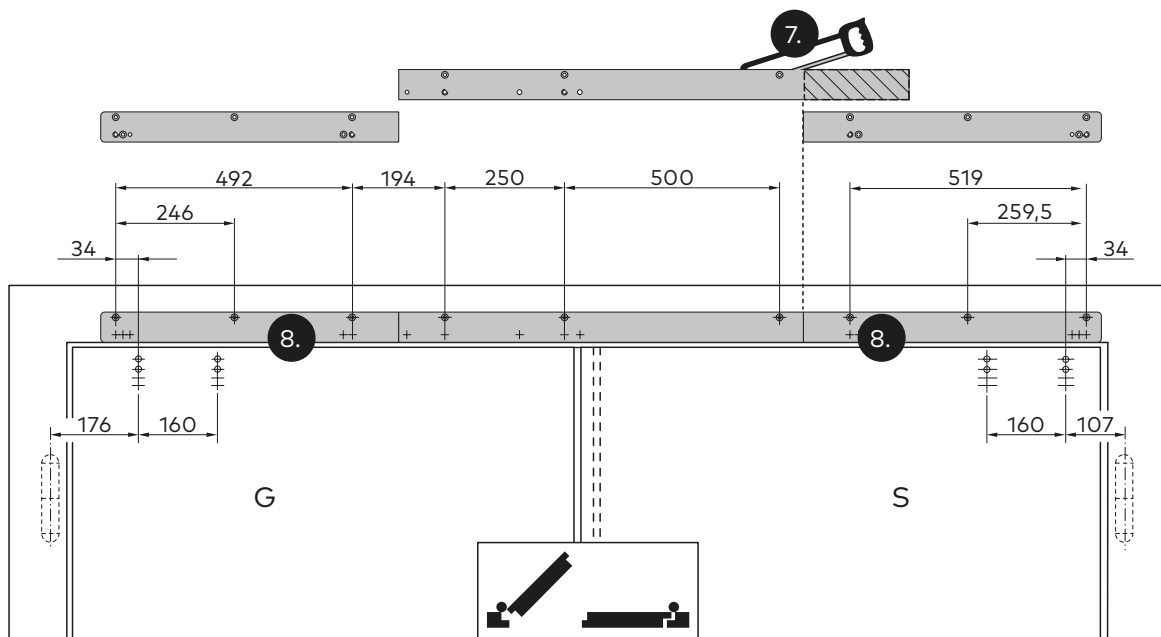
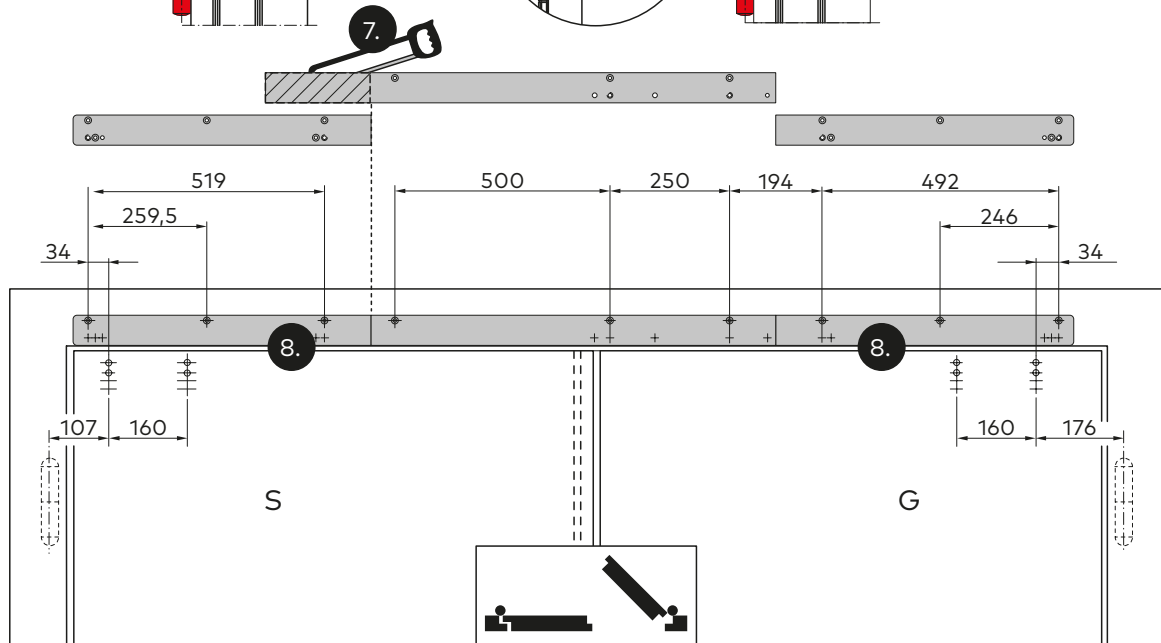
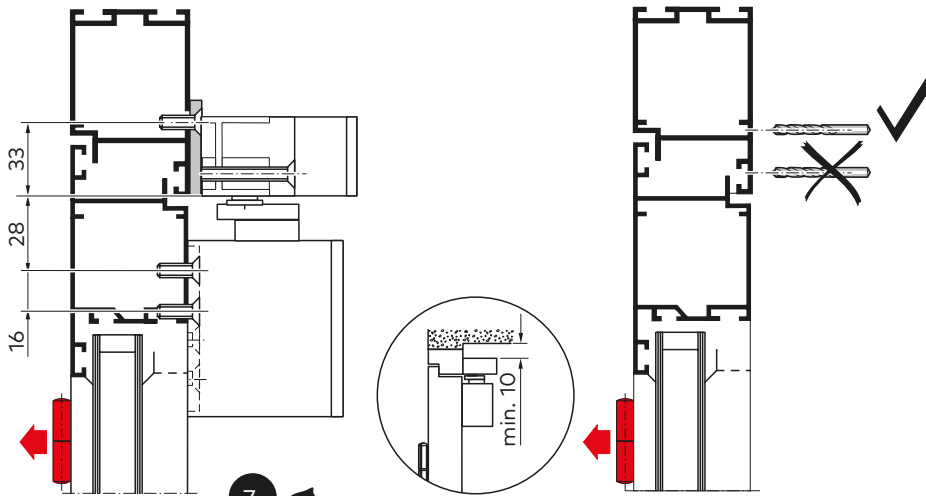
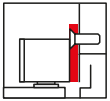


GSR-EMR XEA BG

4.1 A



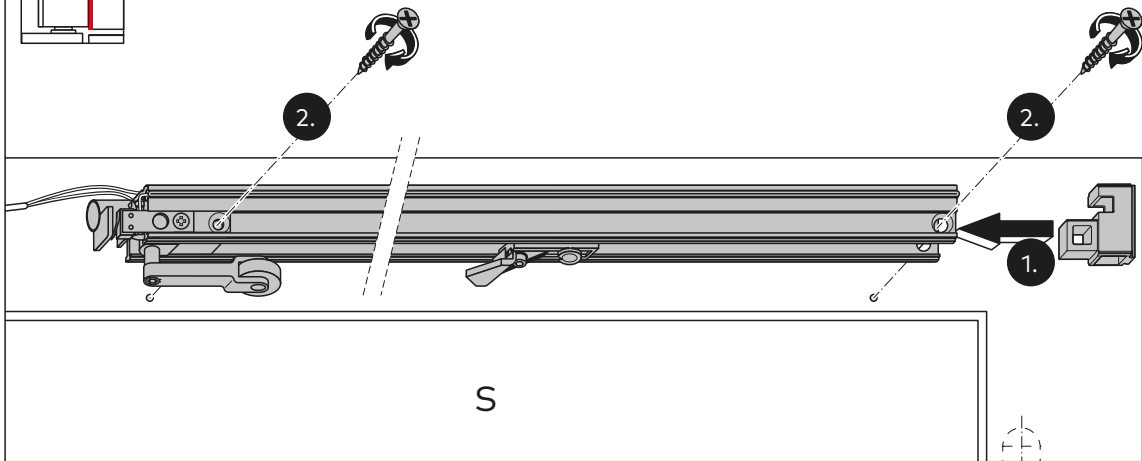
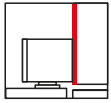
4.1 B



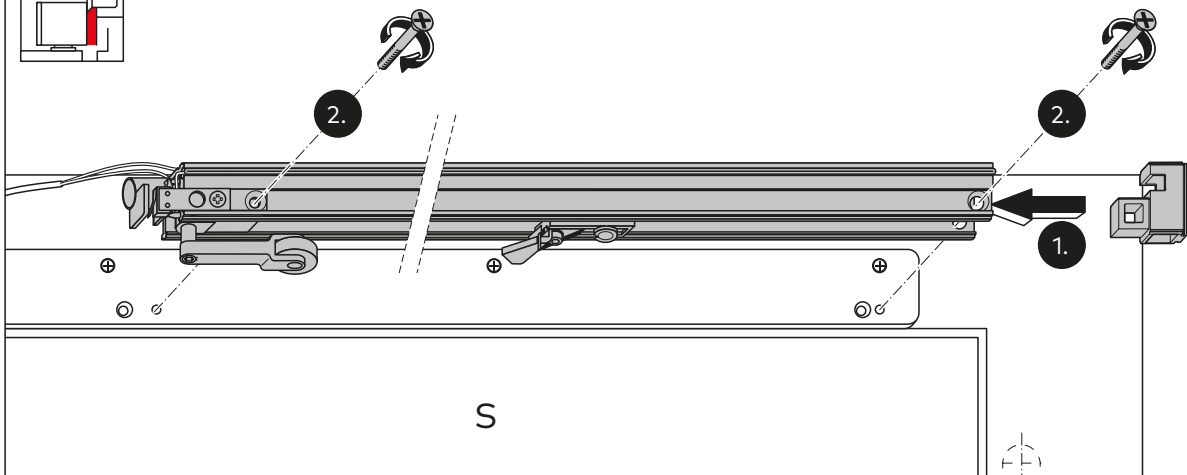
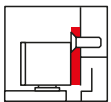
4.2



A

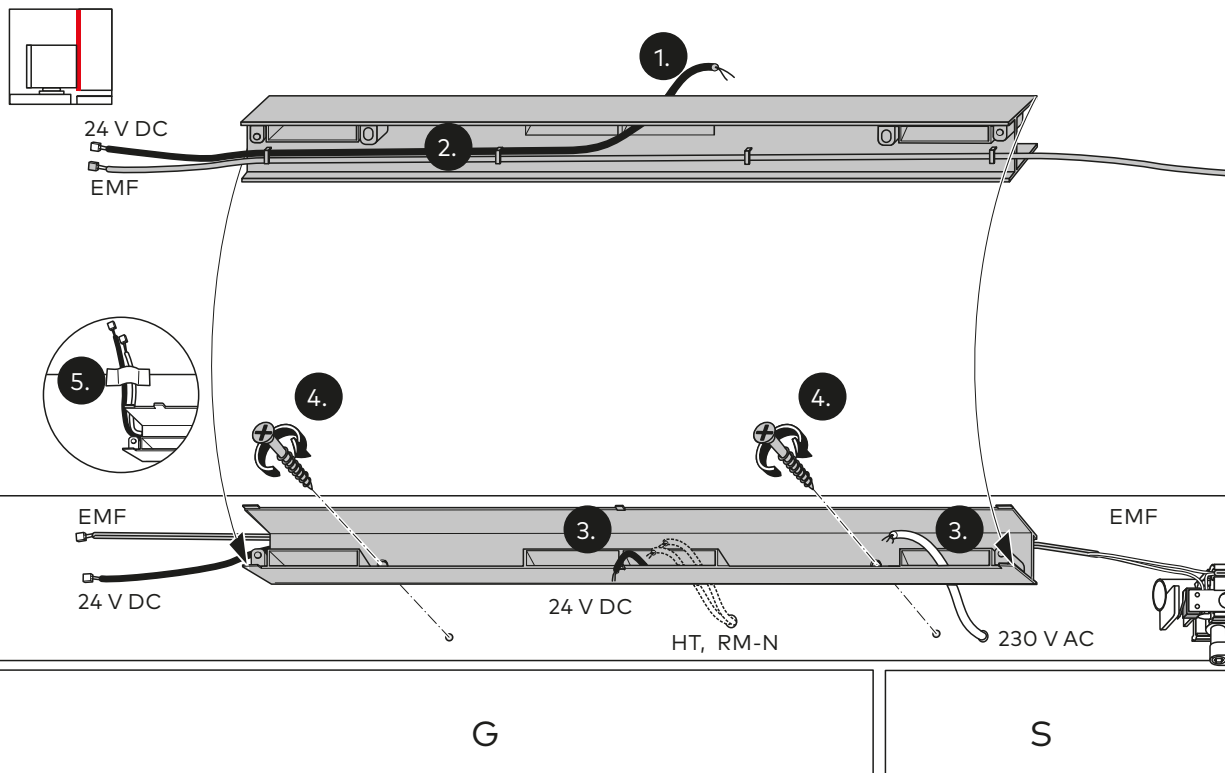


B

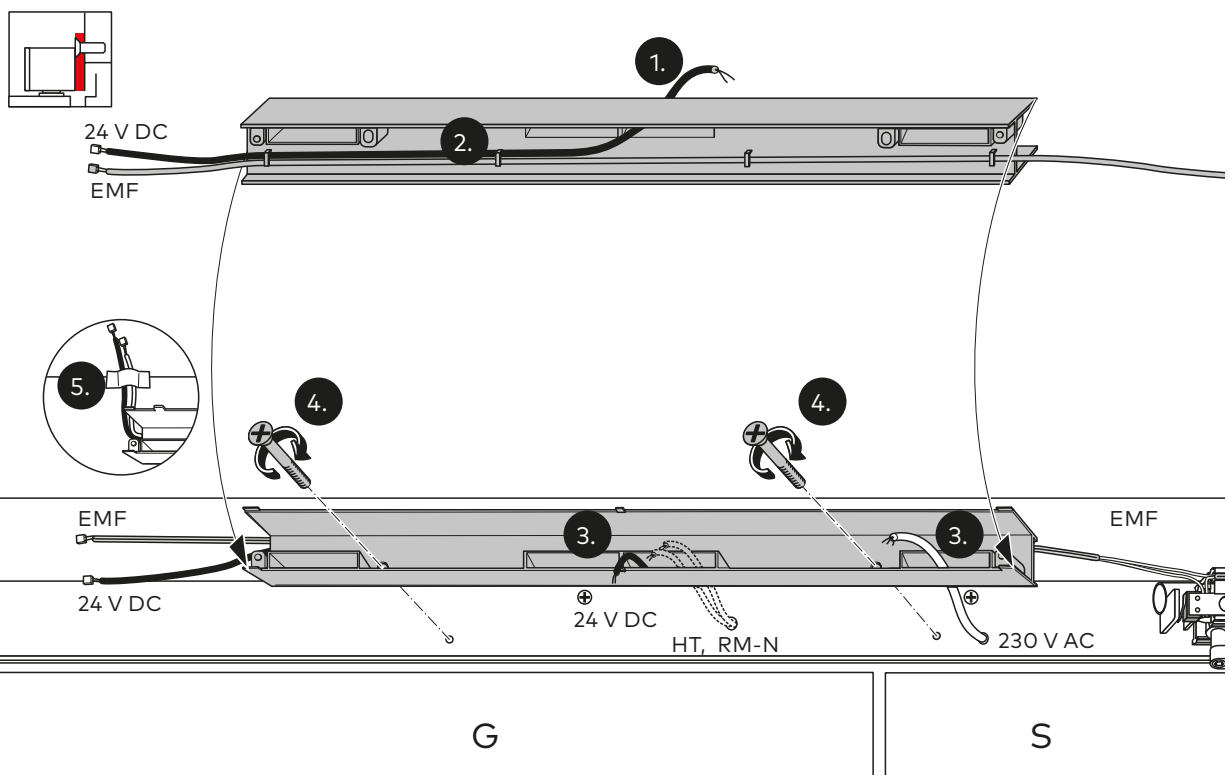


4.3

A



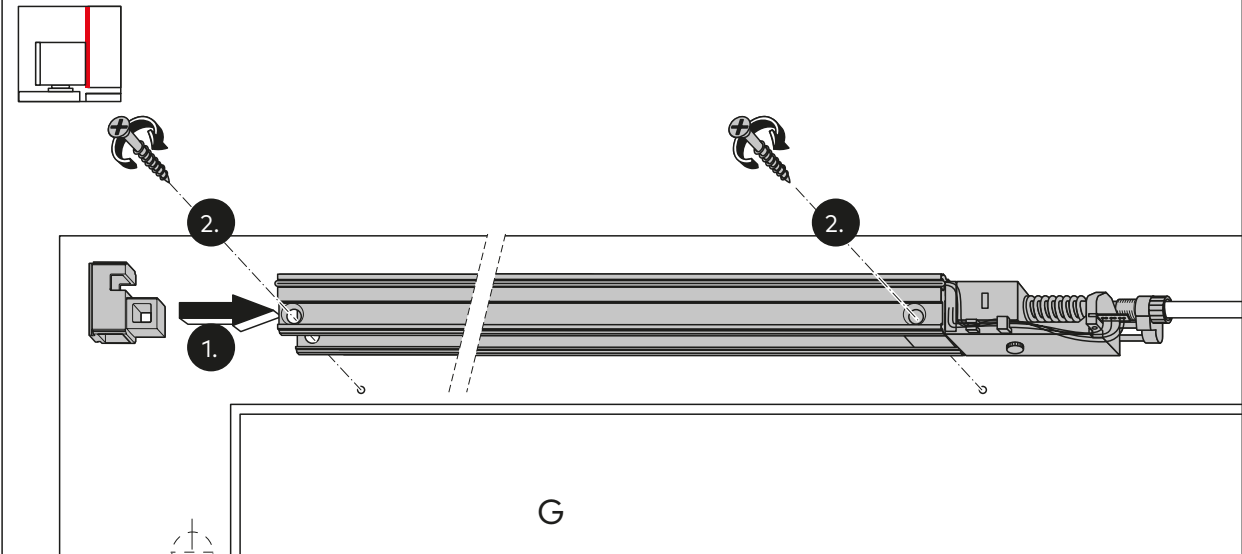
B



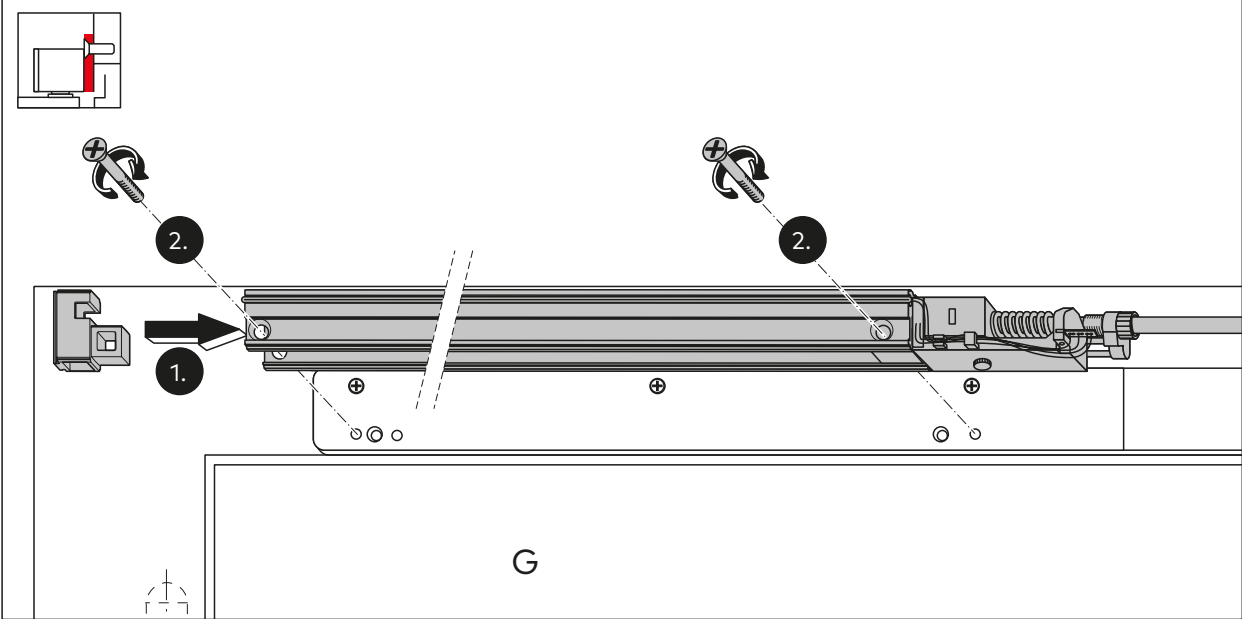
4.4



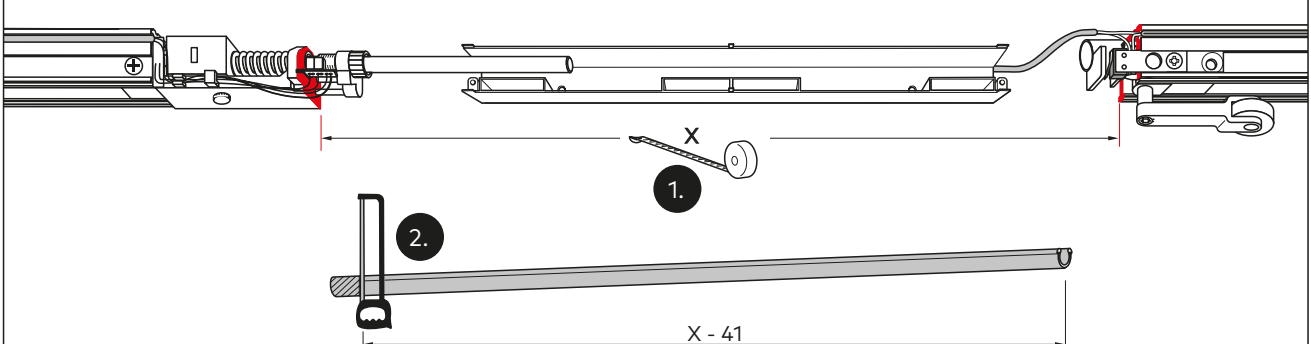
A

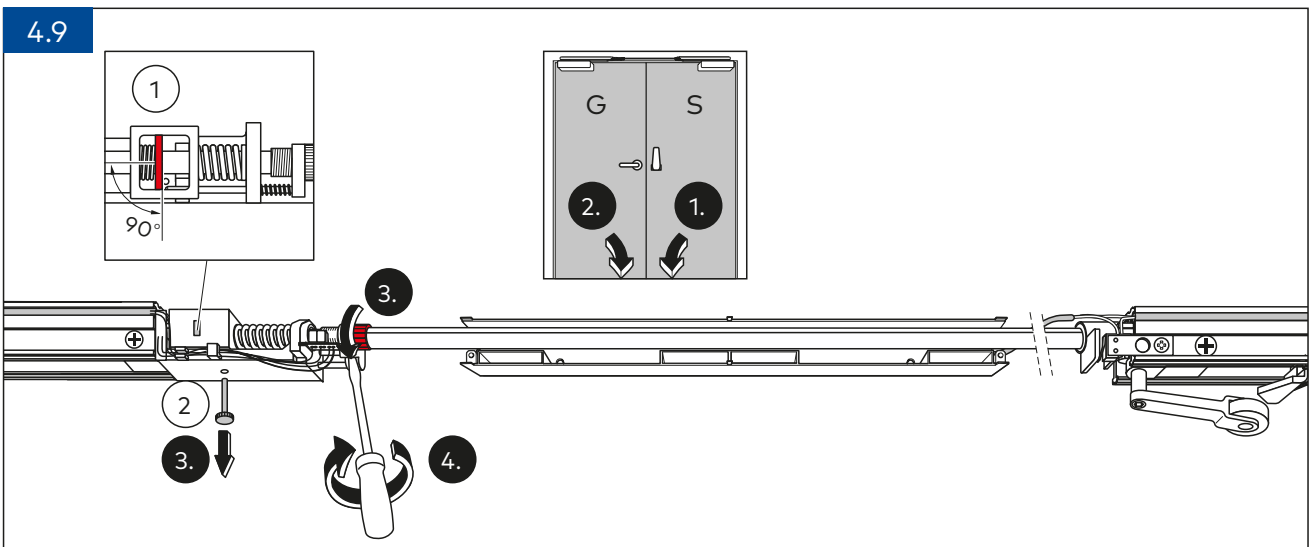
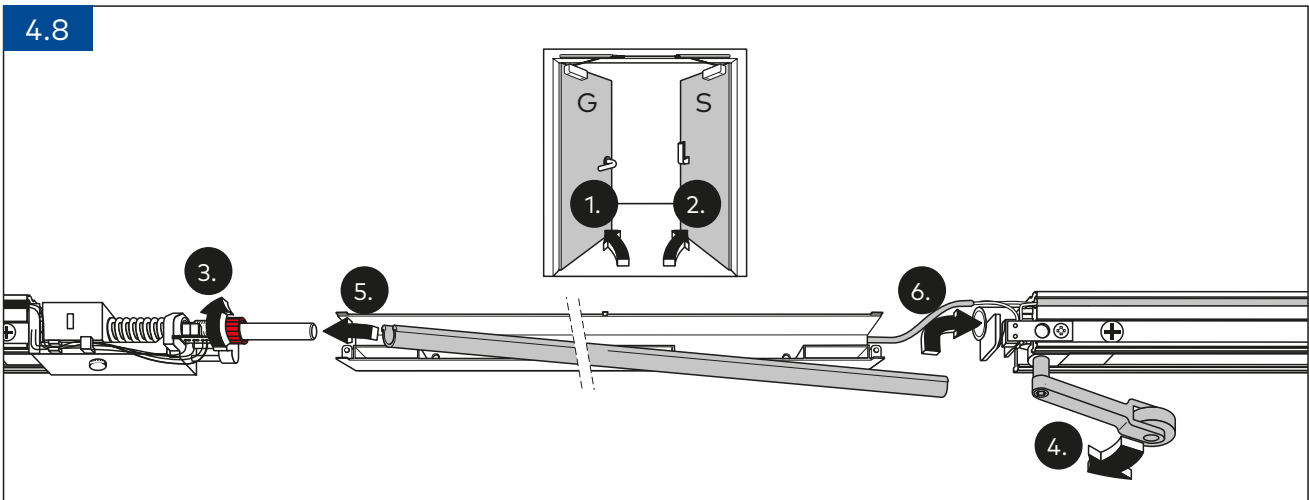
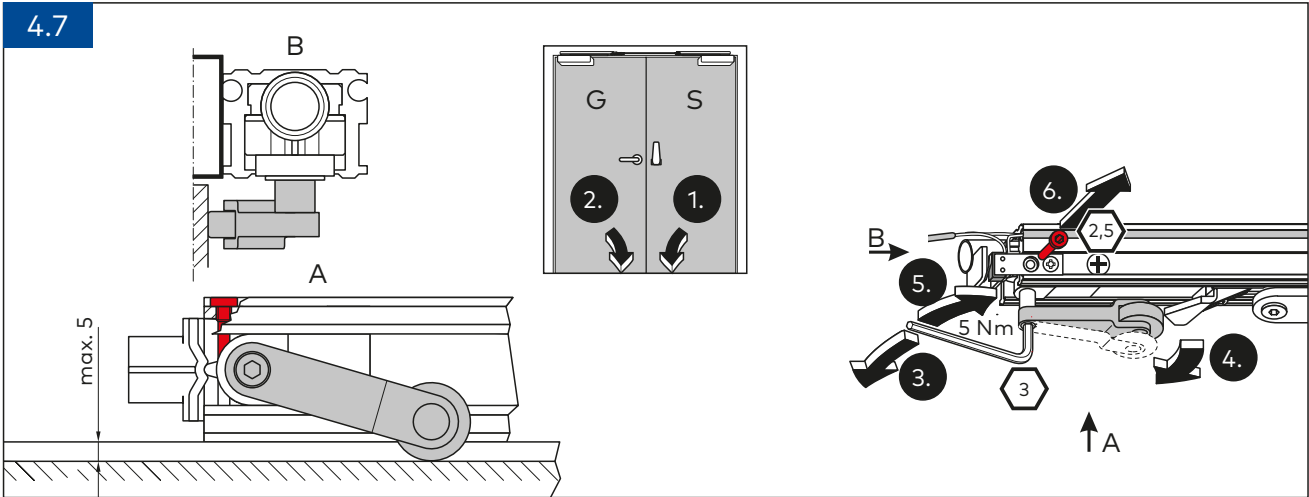


B

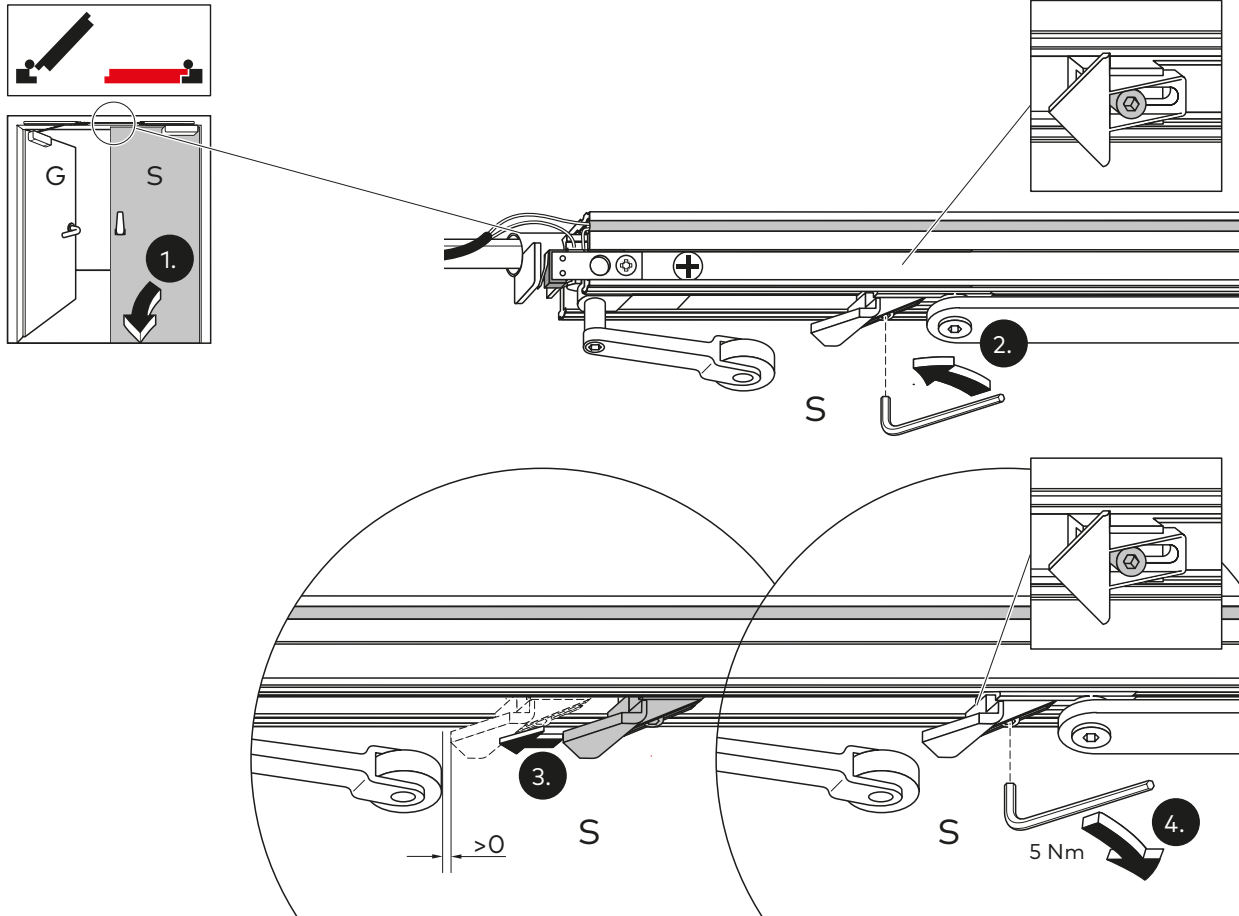
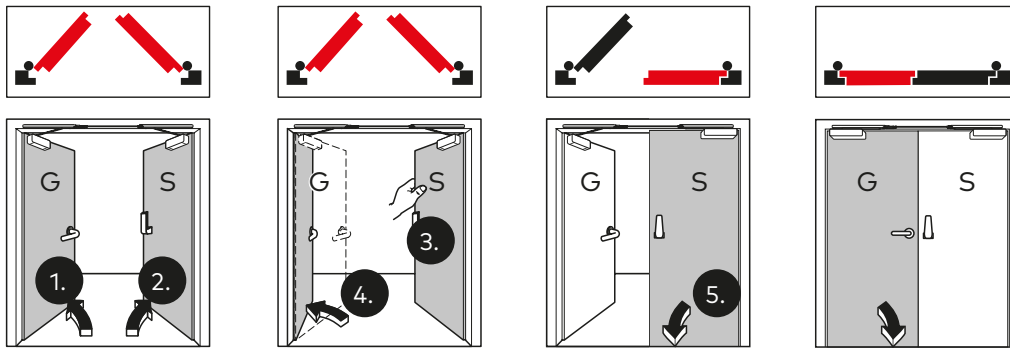


4.6

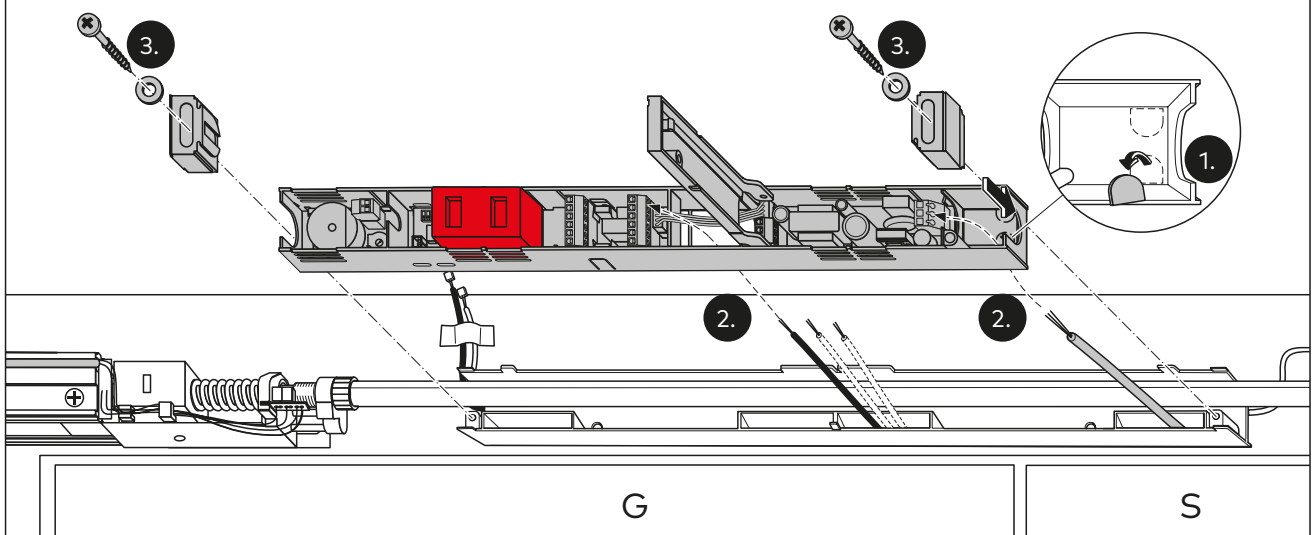




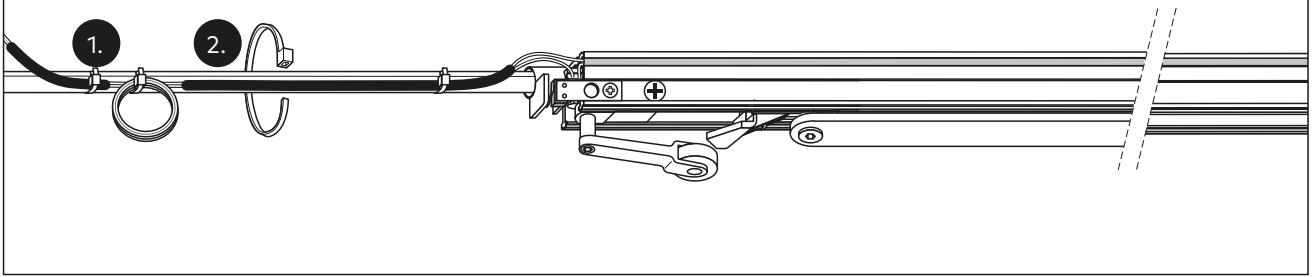
4.10



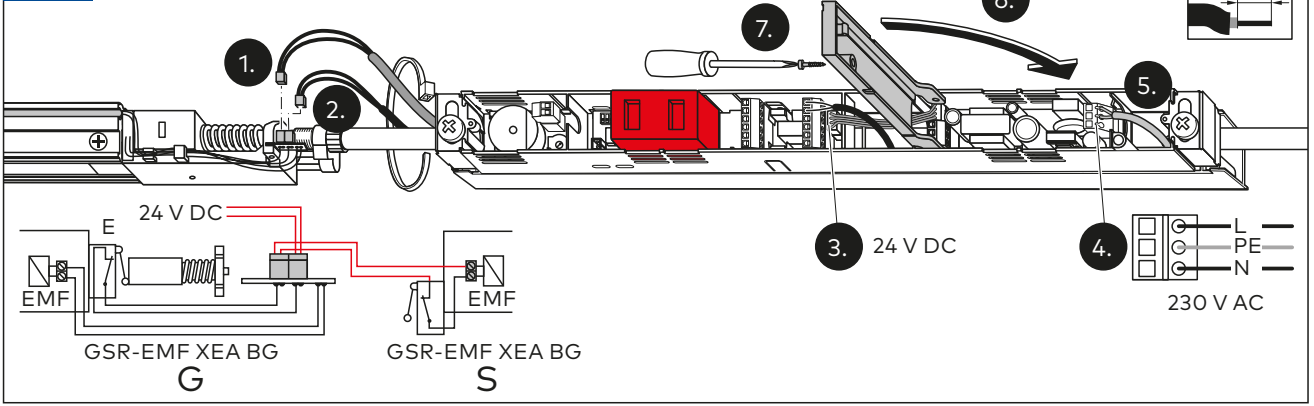
4.11



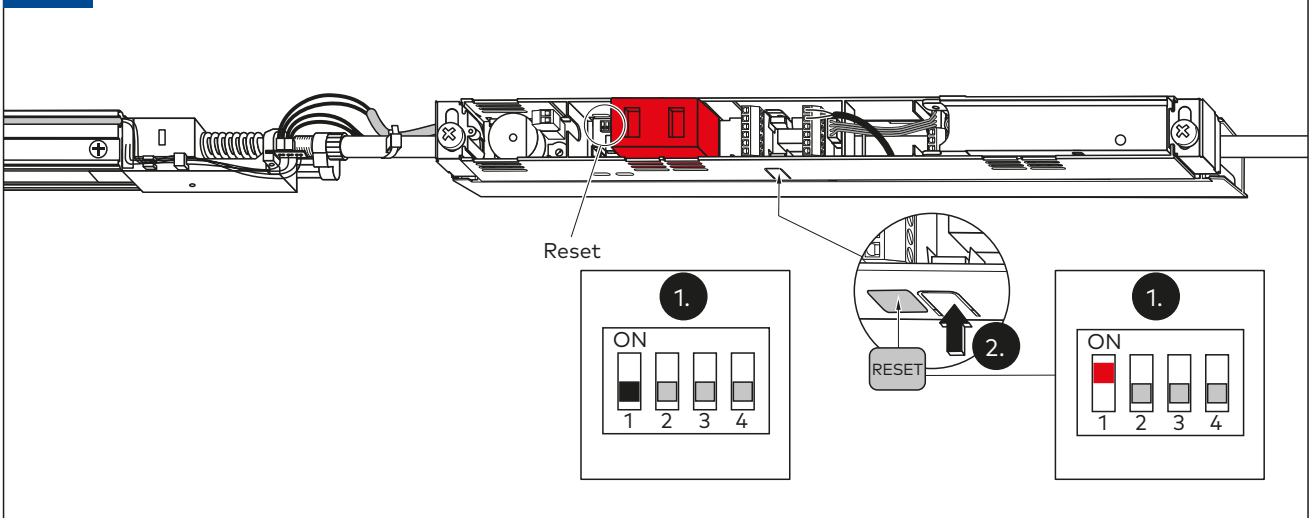
4.12



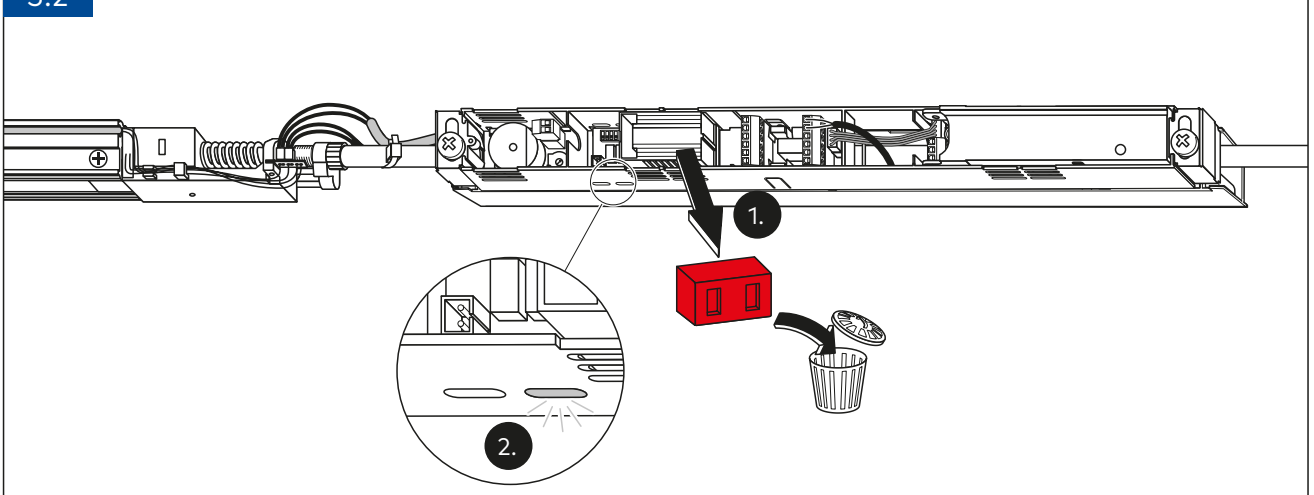
4.13



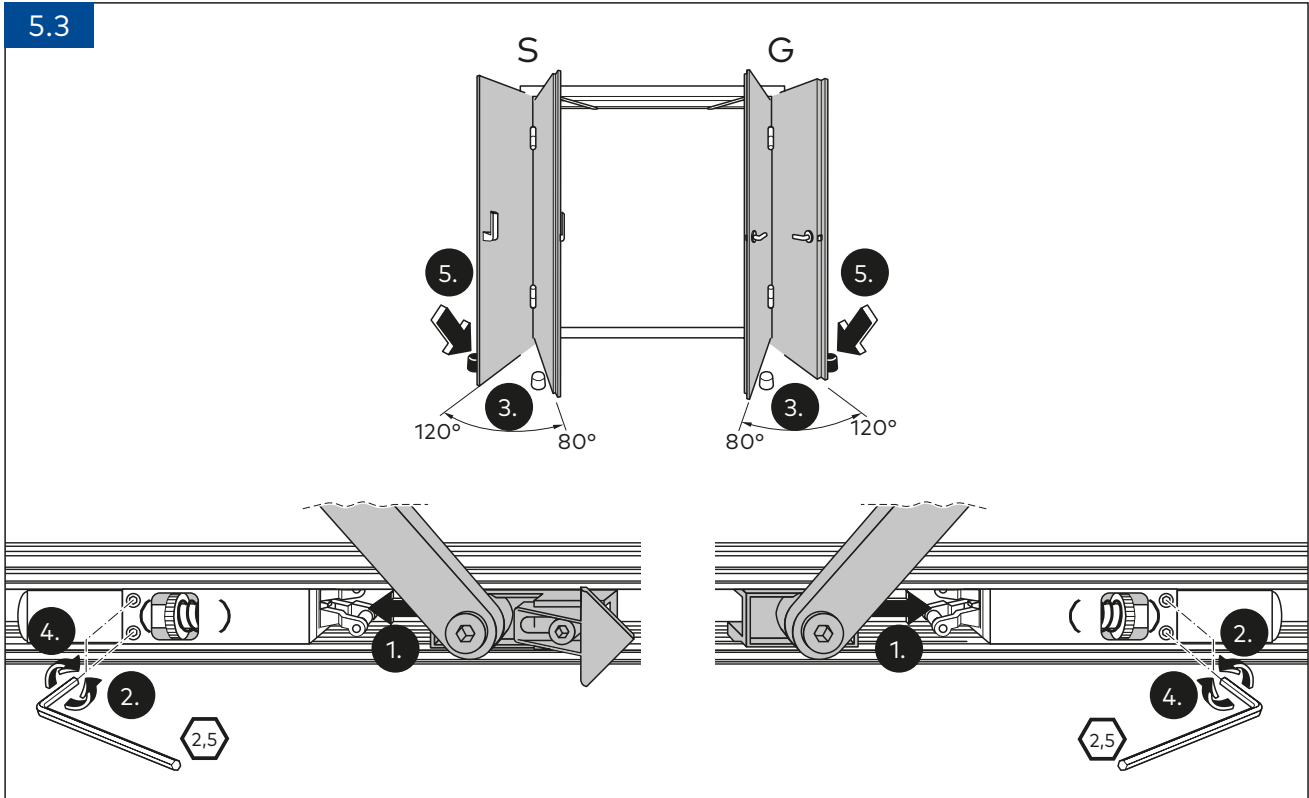
5.1



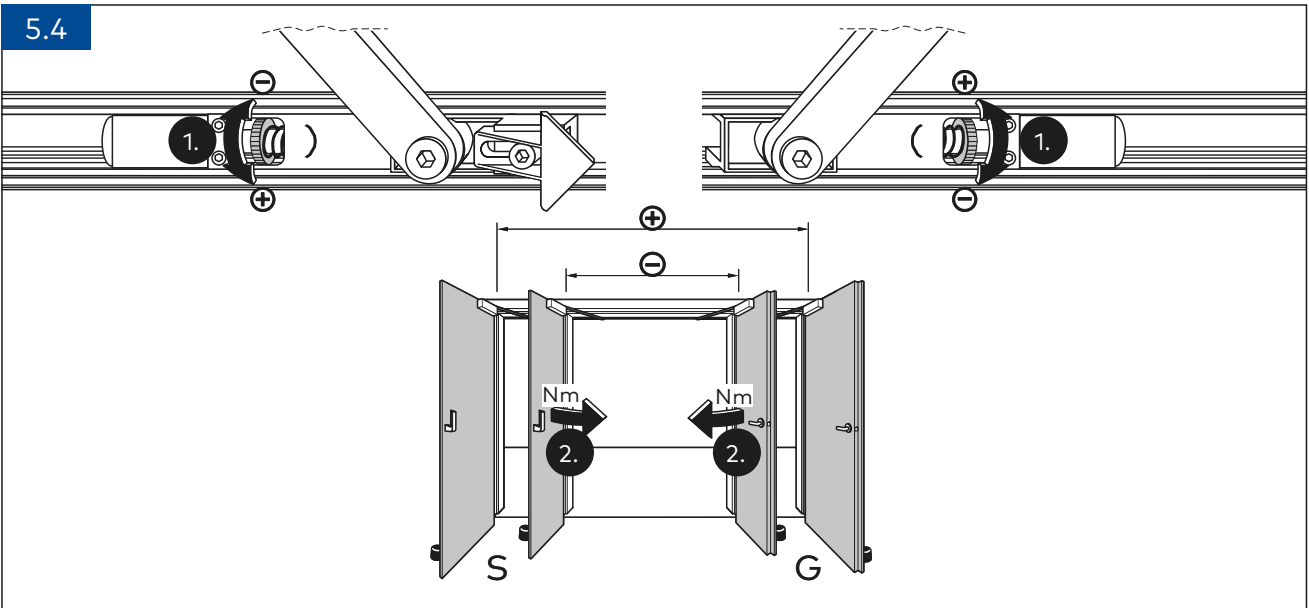
5.2



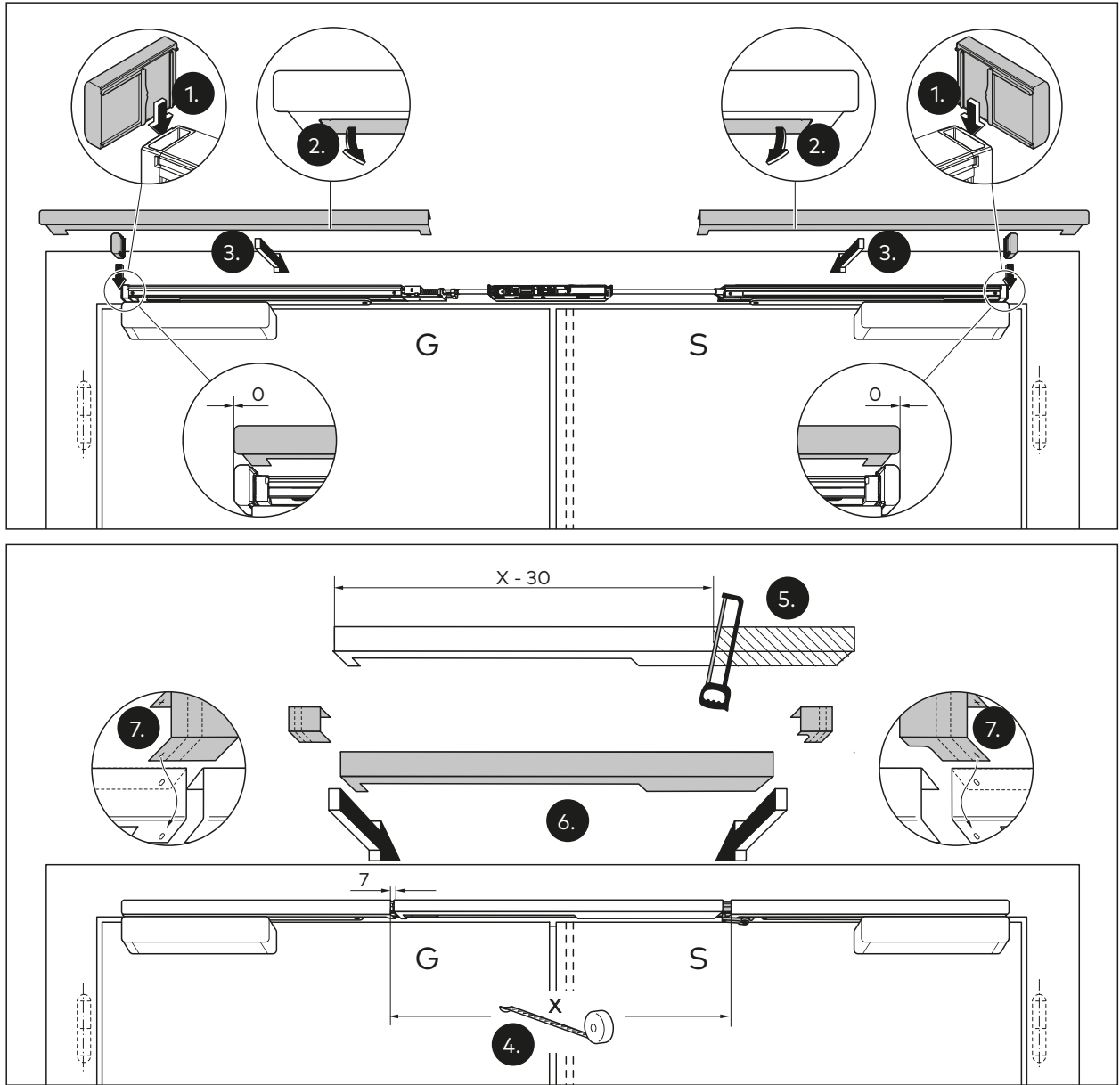
5.3



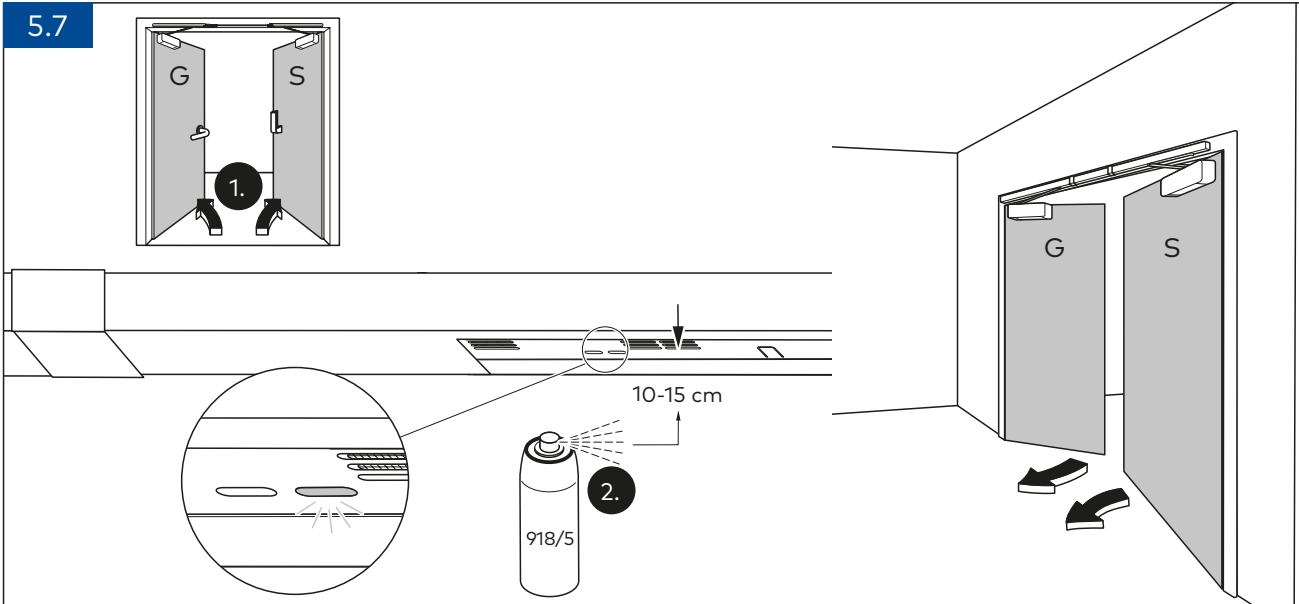
5.4



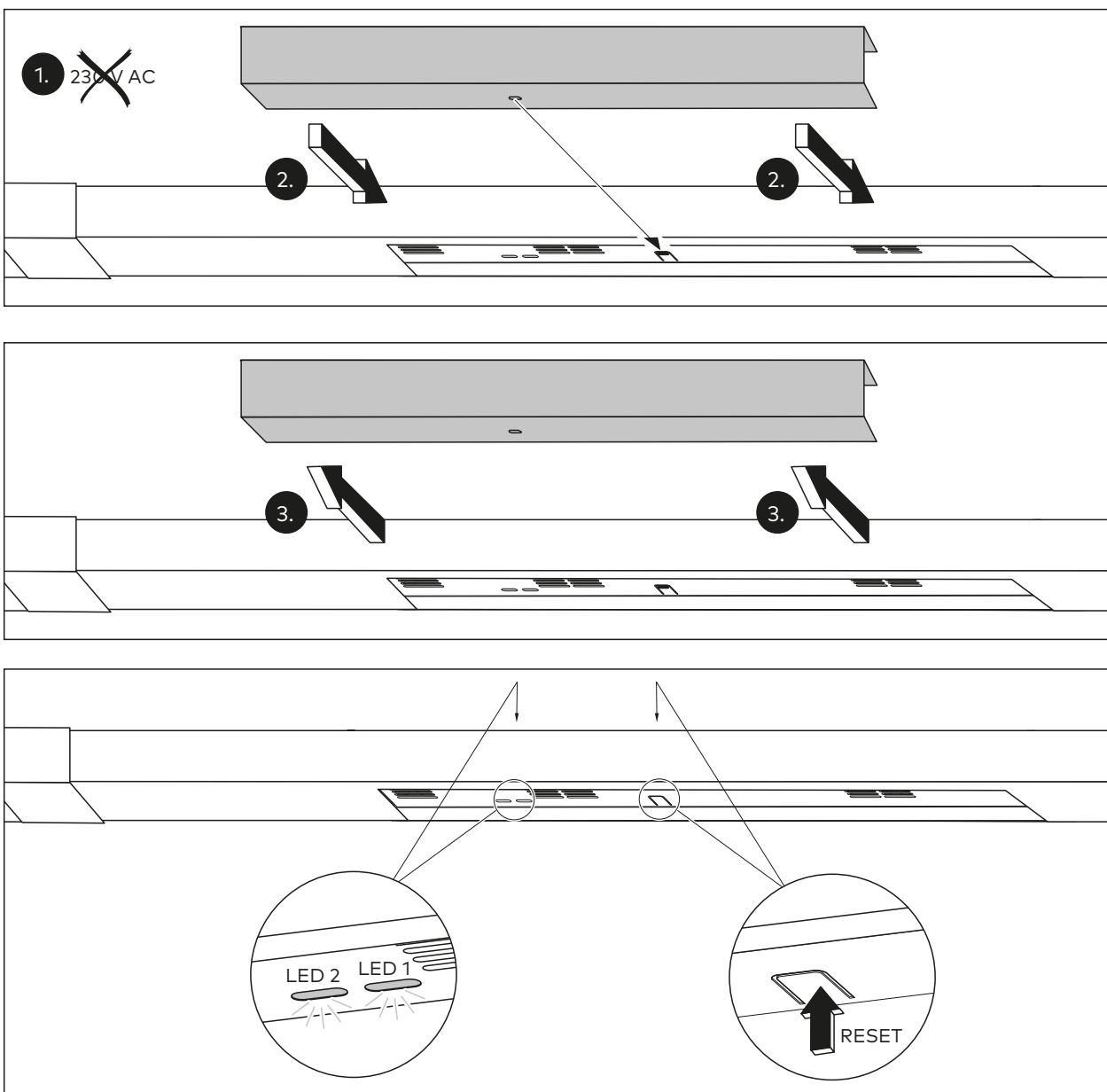
5.5



5.7



6



Änderungen vorbehalten/Subject to change without notice