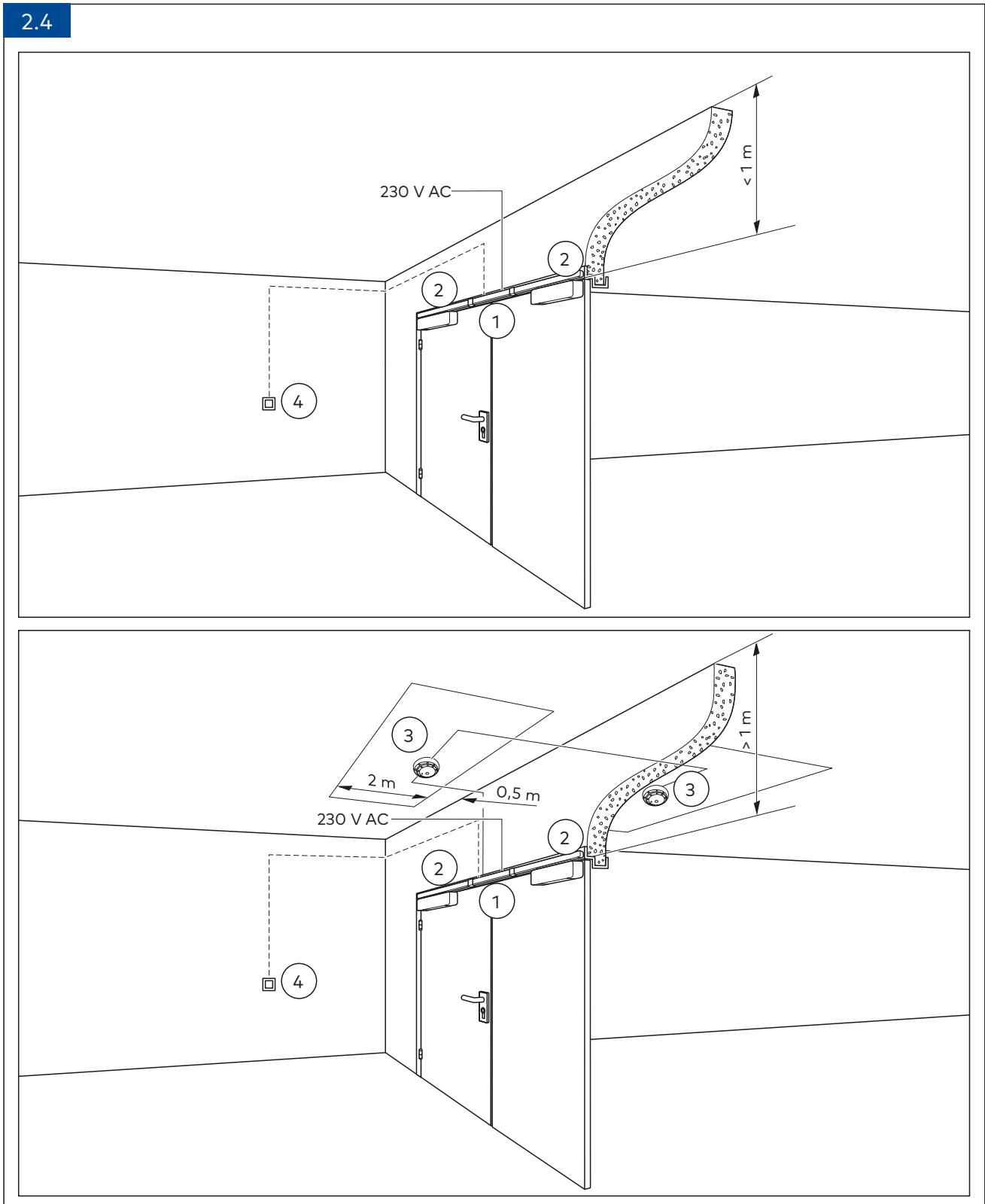


2.4

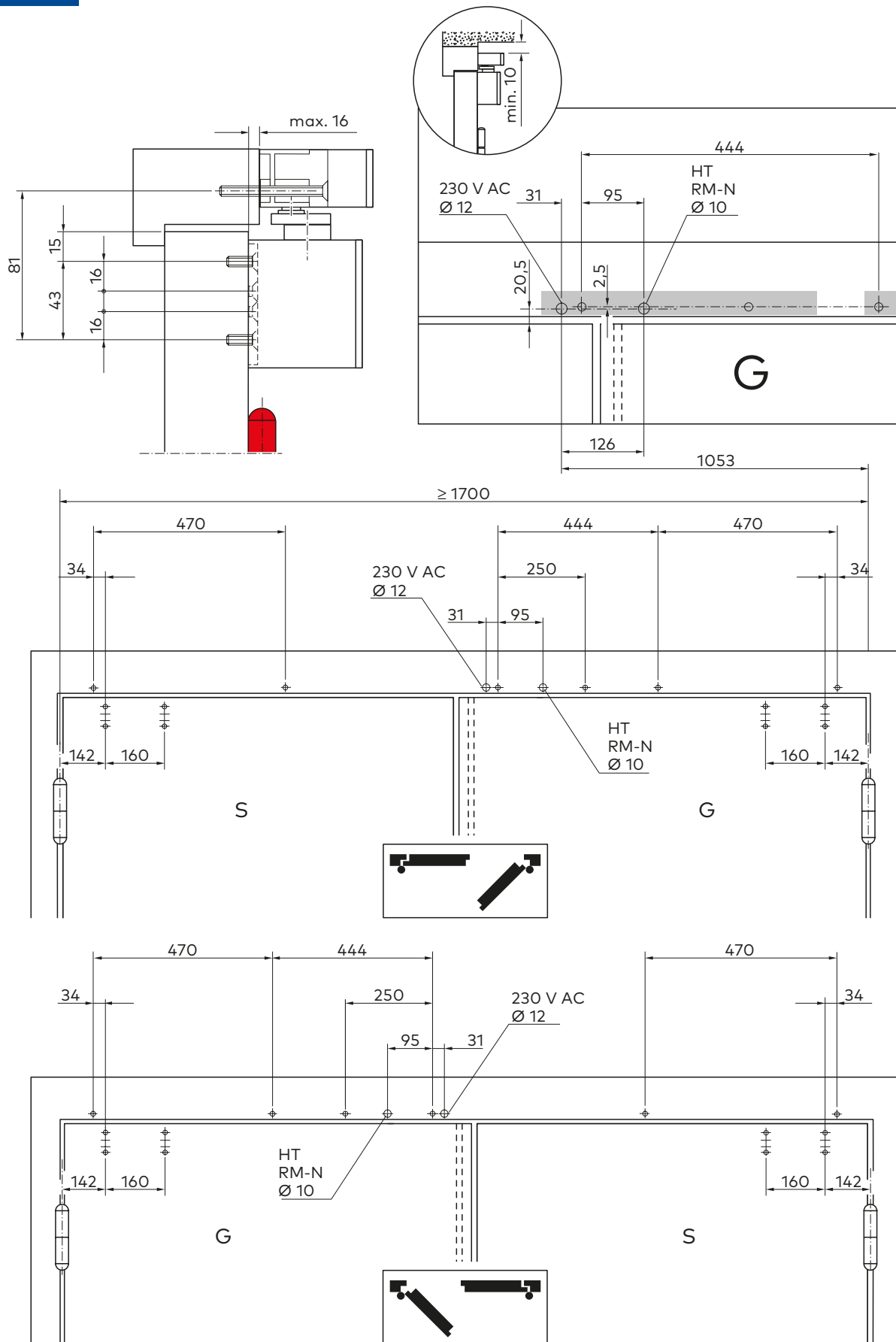


GSR-EMR XEA

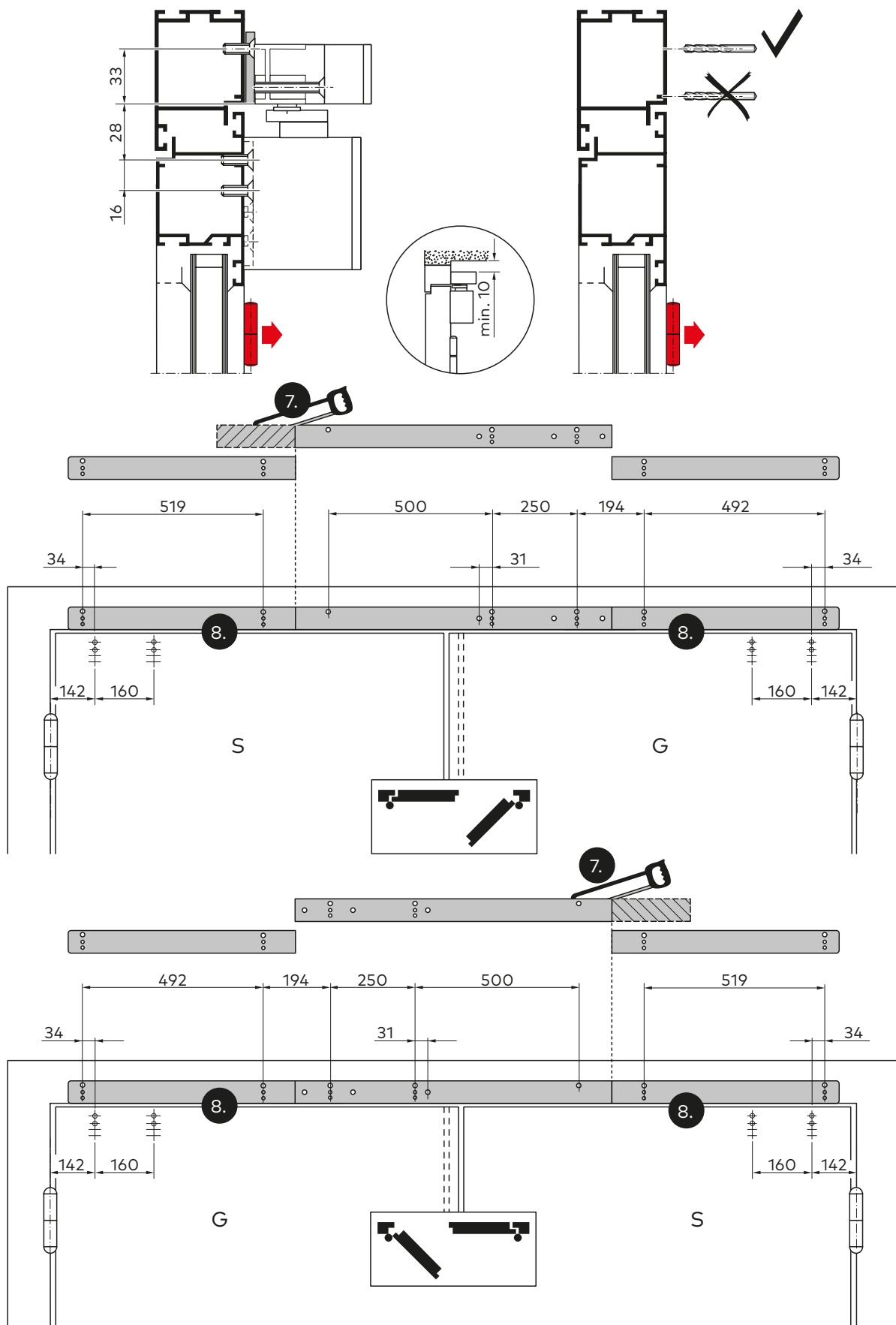
Montageanleitung
Mounting instructions

WN 059317 45532 – 2017-10

4.1 A



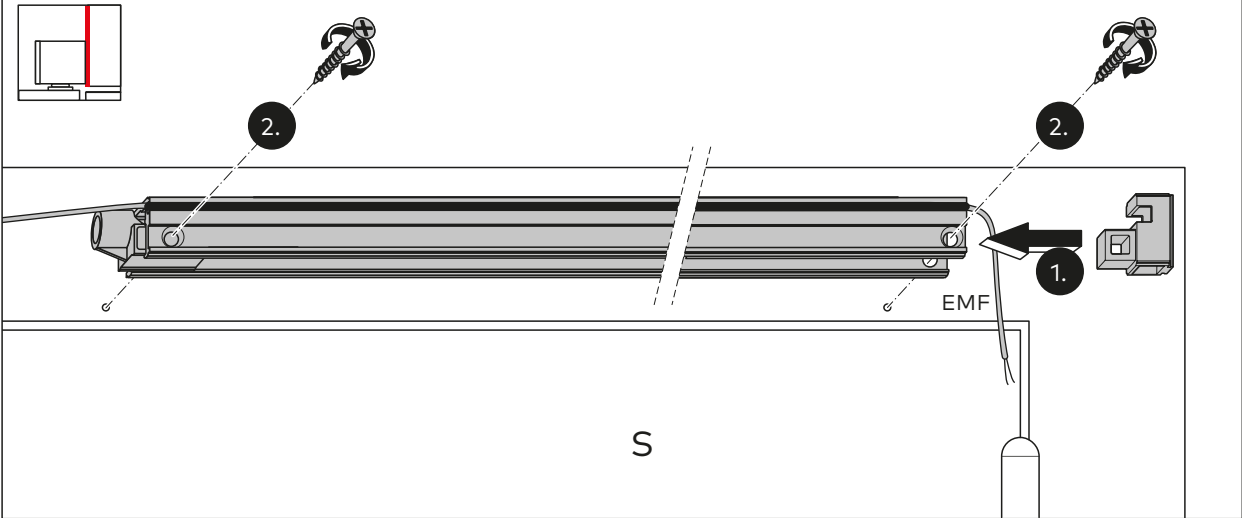
4.1 B



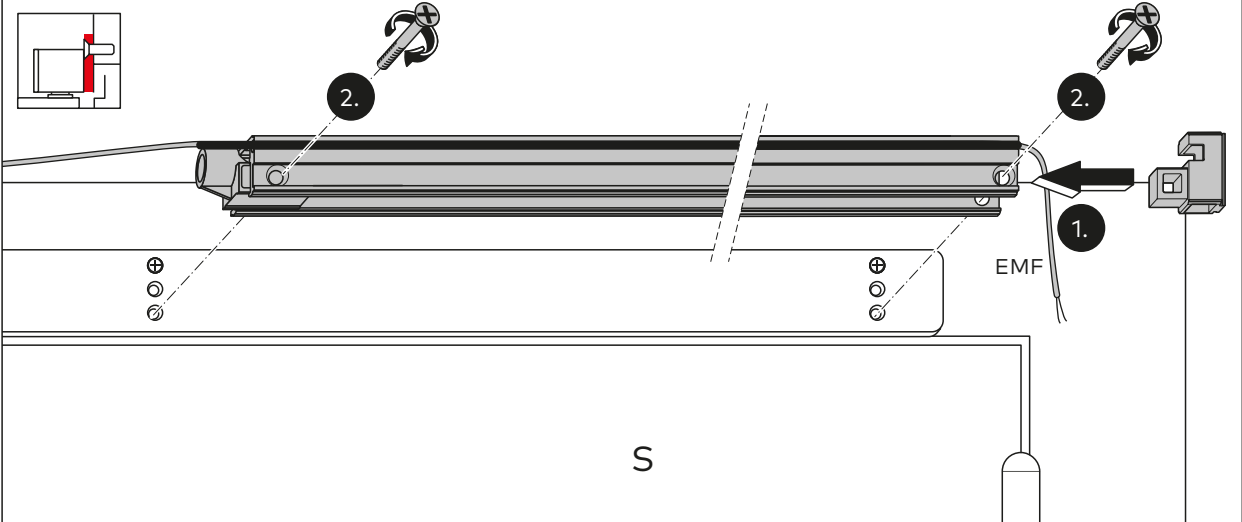
4.2



A

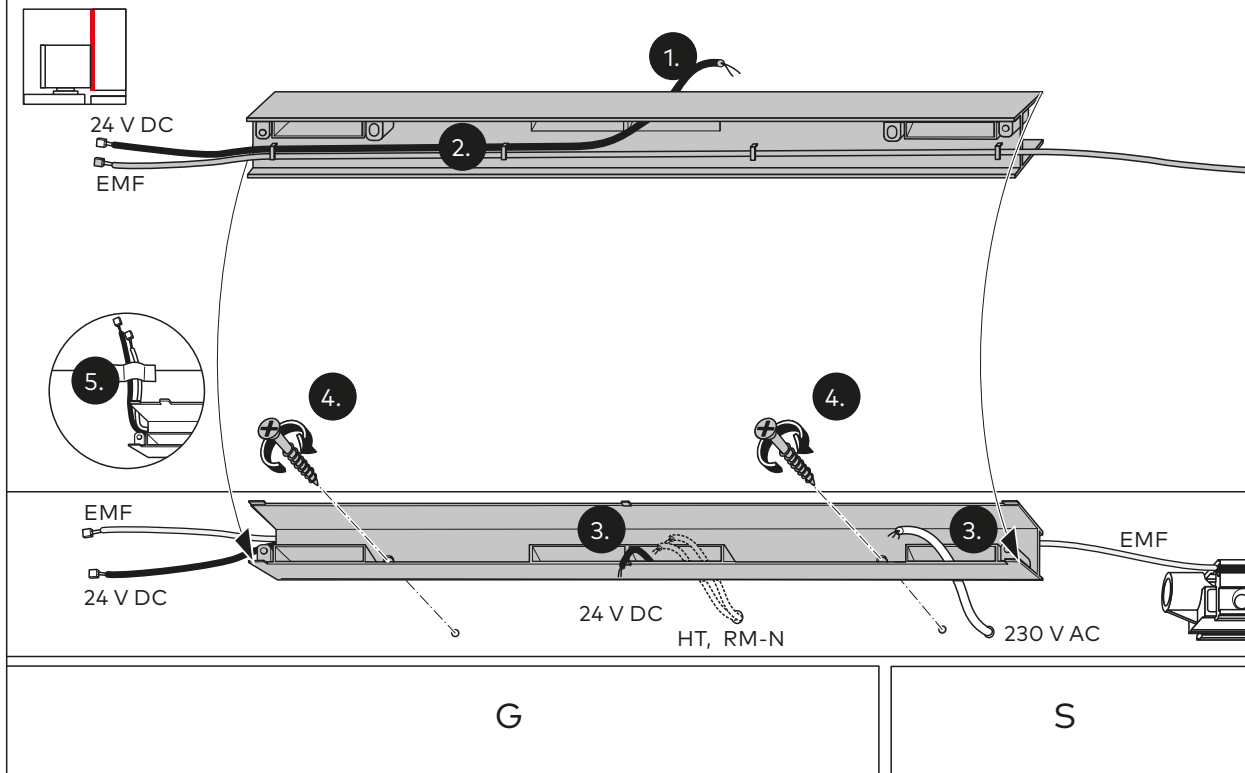


B

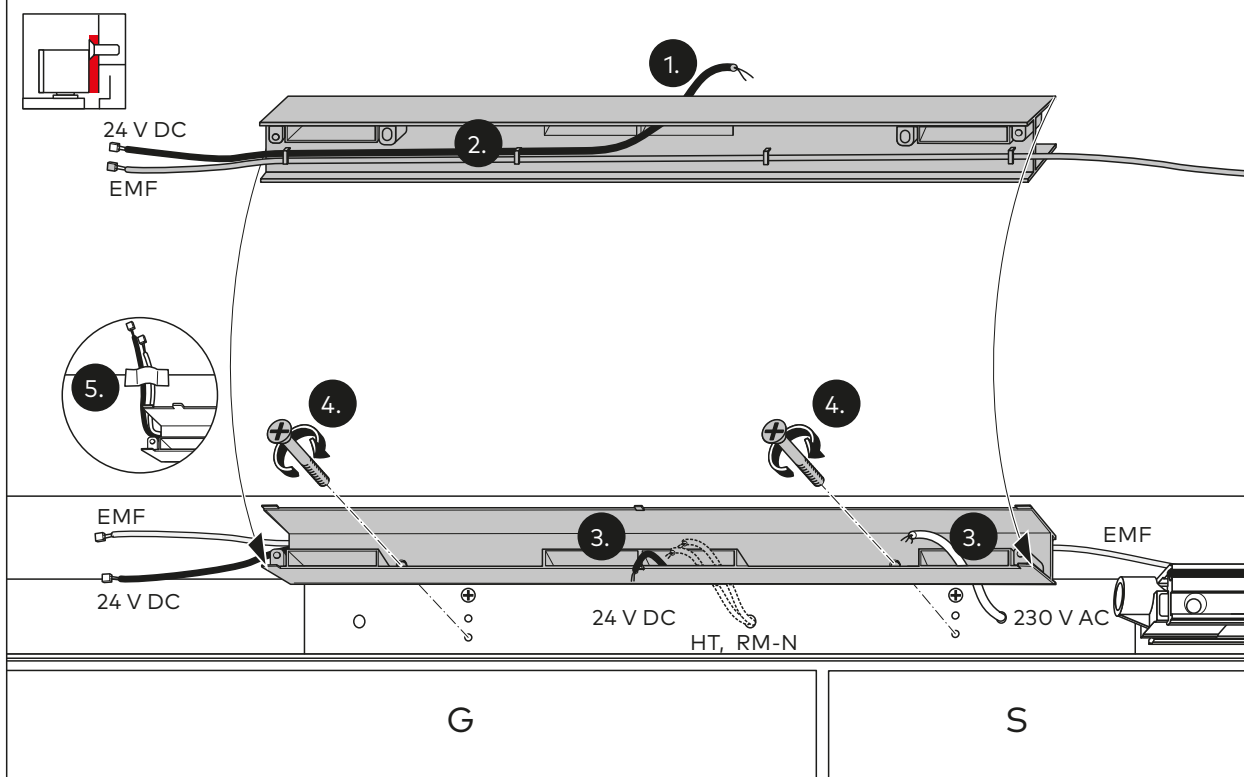


4.3

A



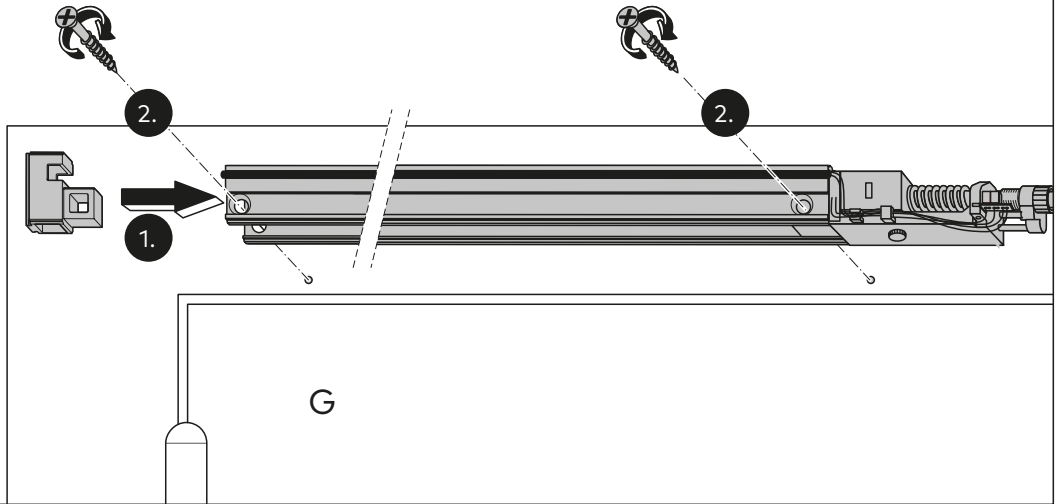
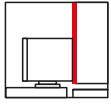
B



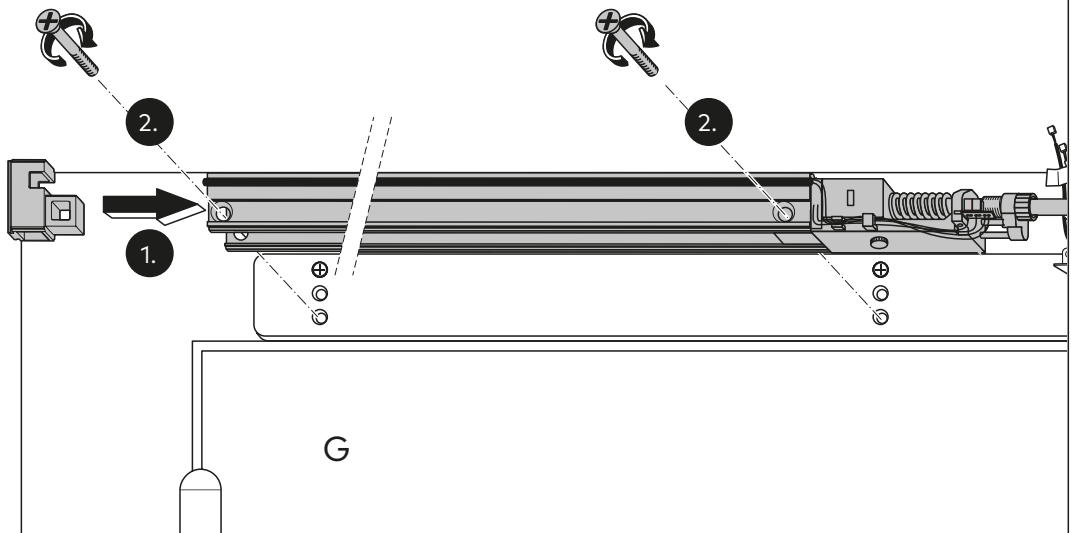
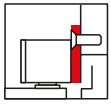
4.4



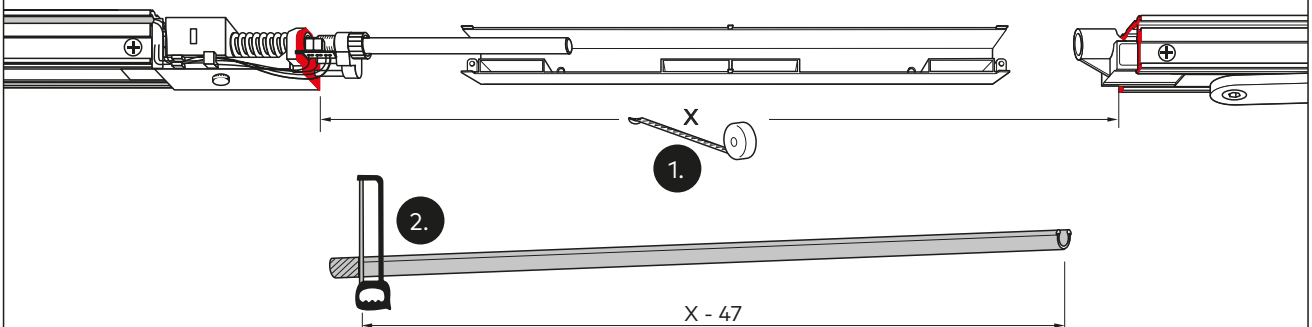
A

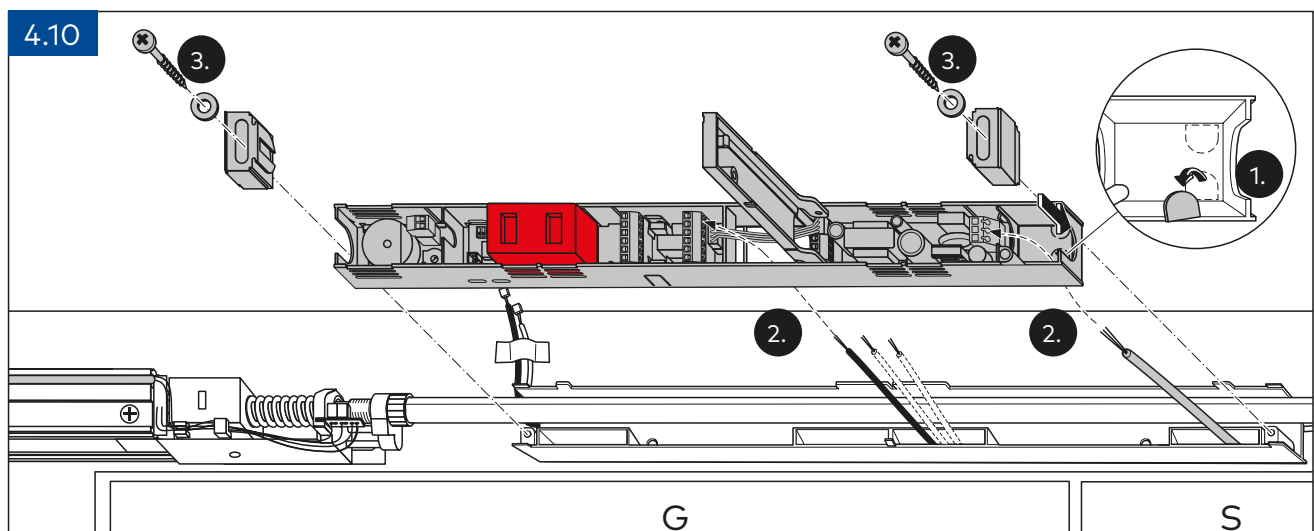
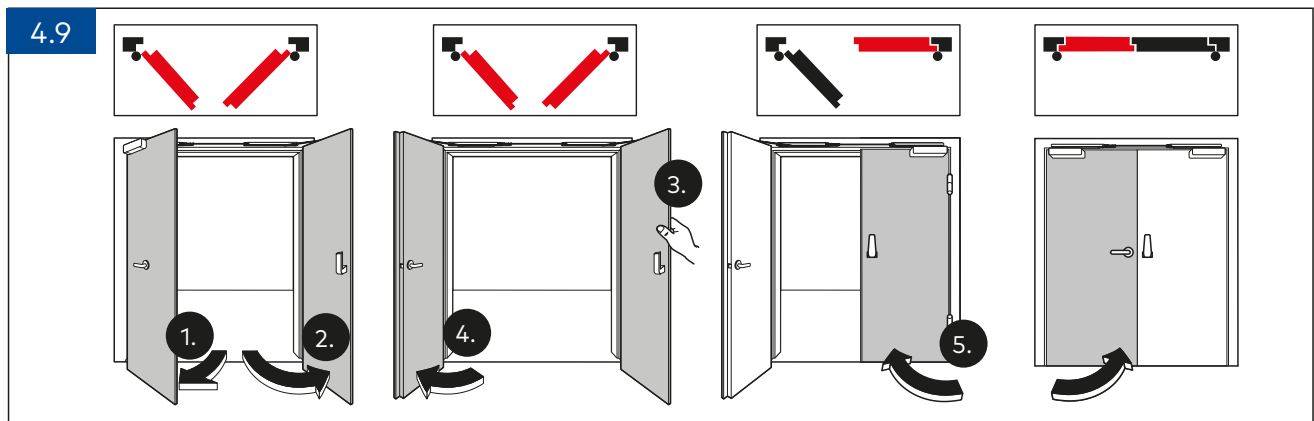
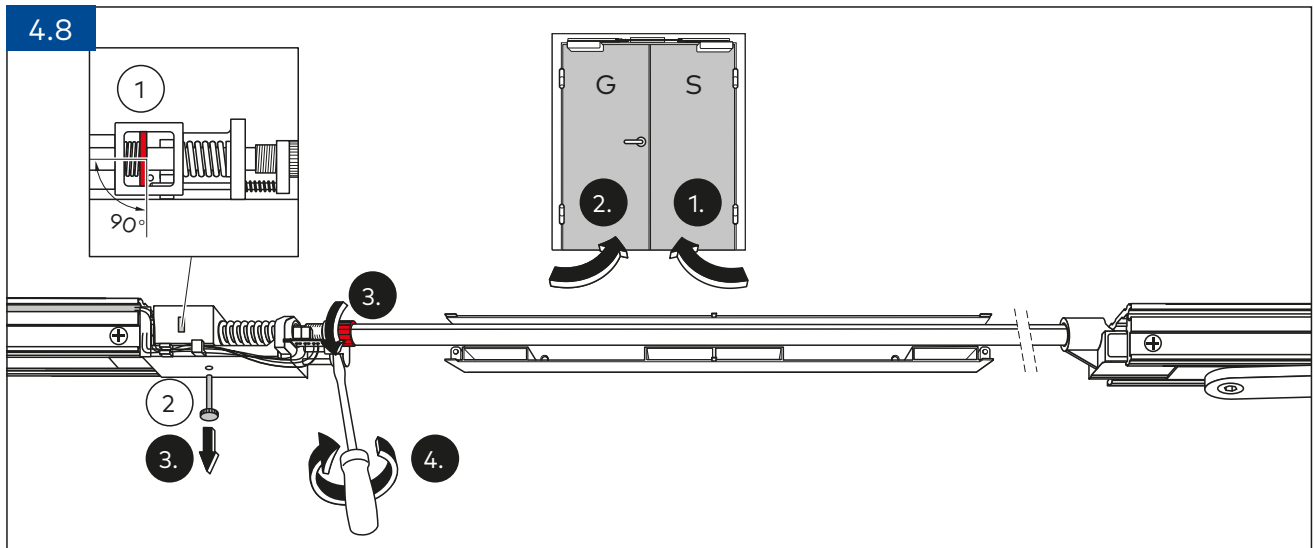
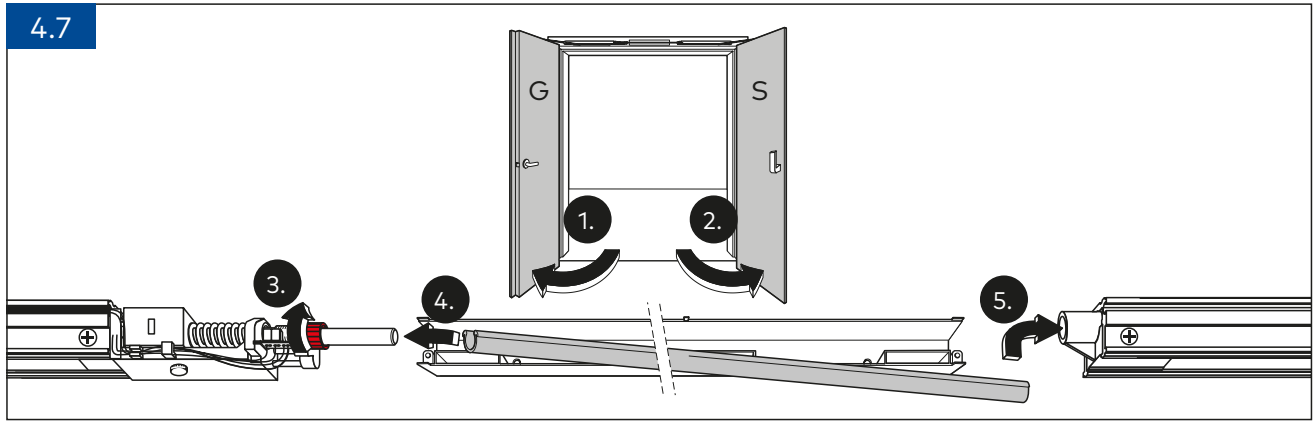


B

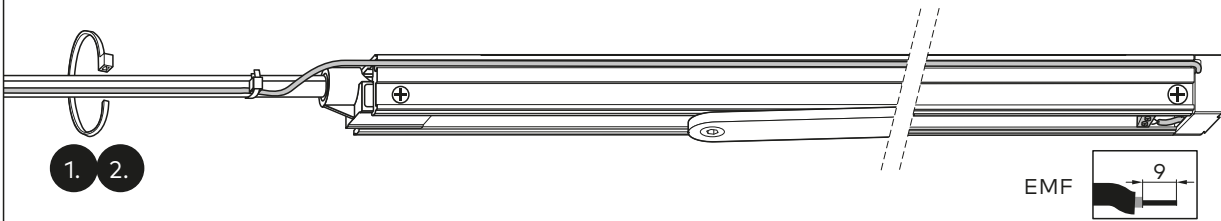


4.6

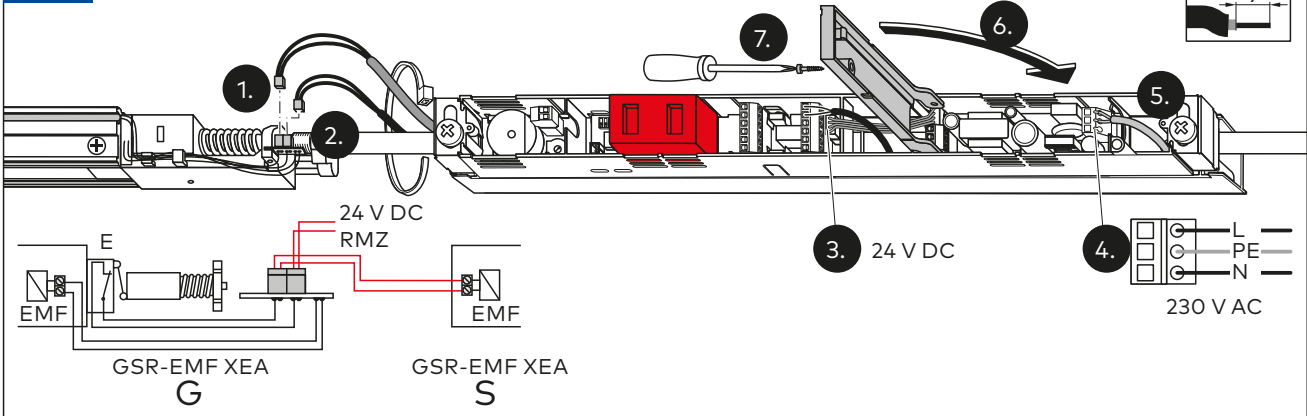




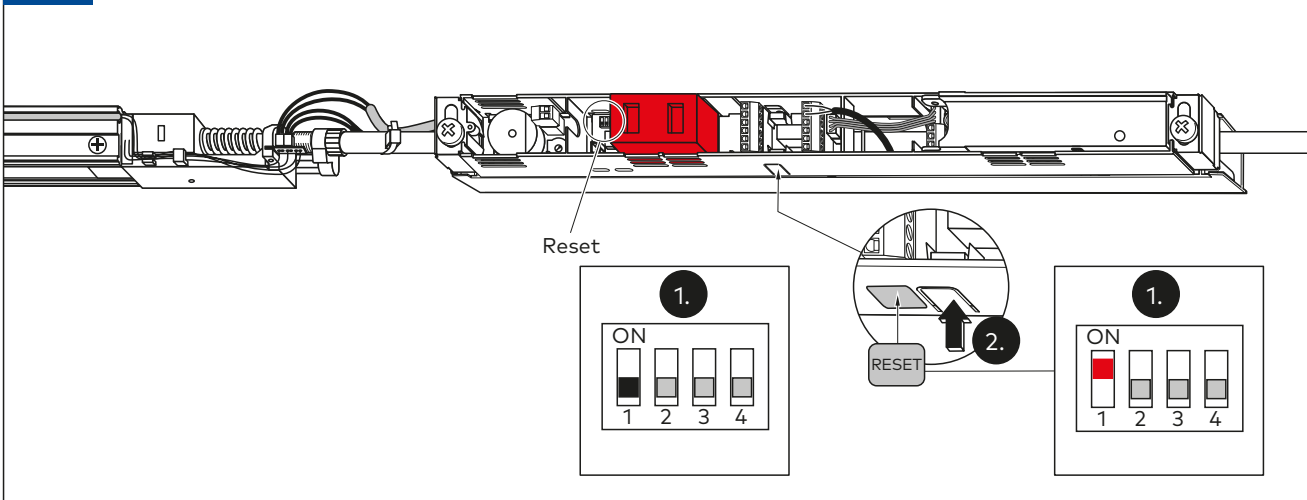
4.11



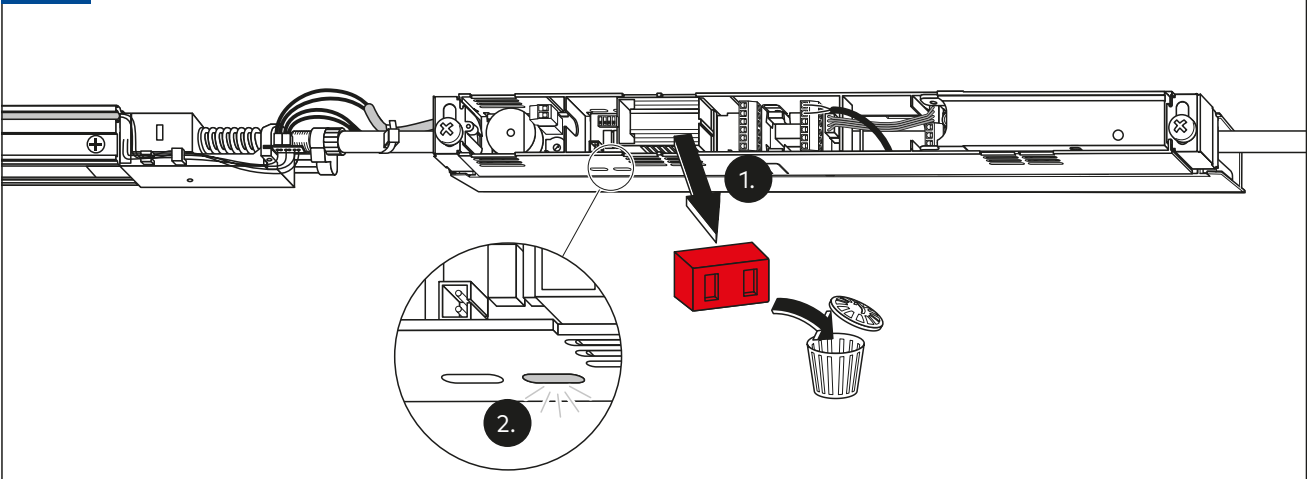
4.12



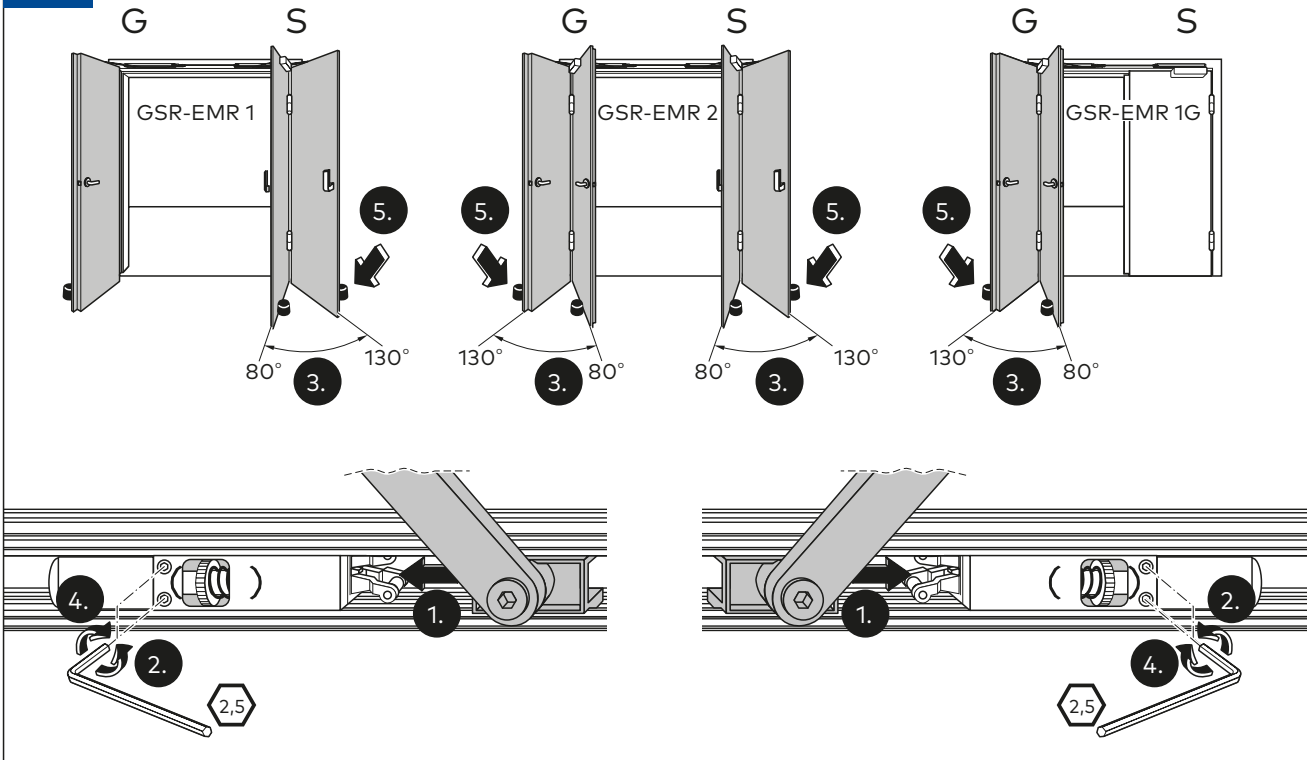
5.1



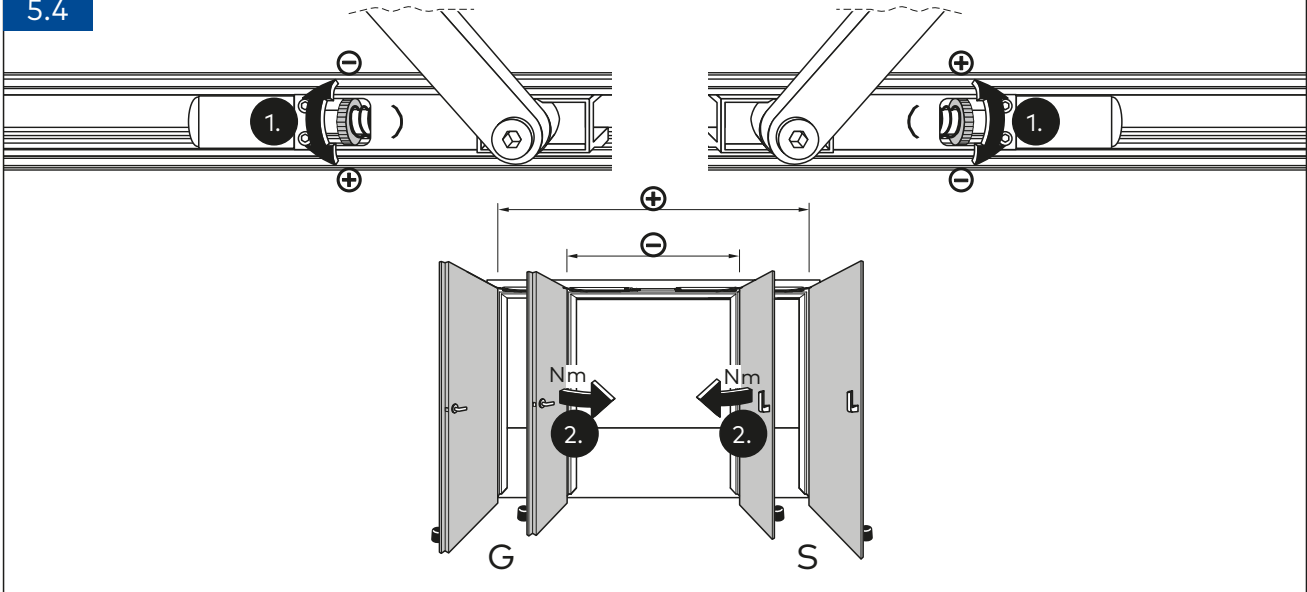
5.2



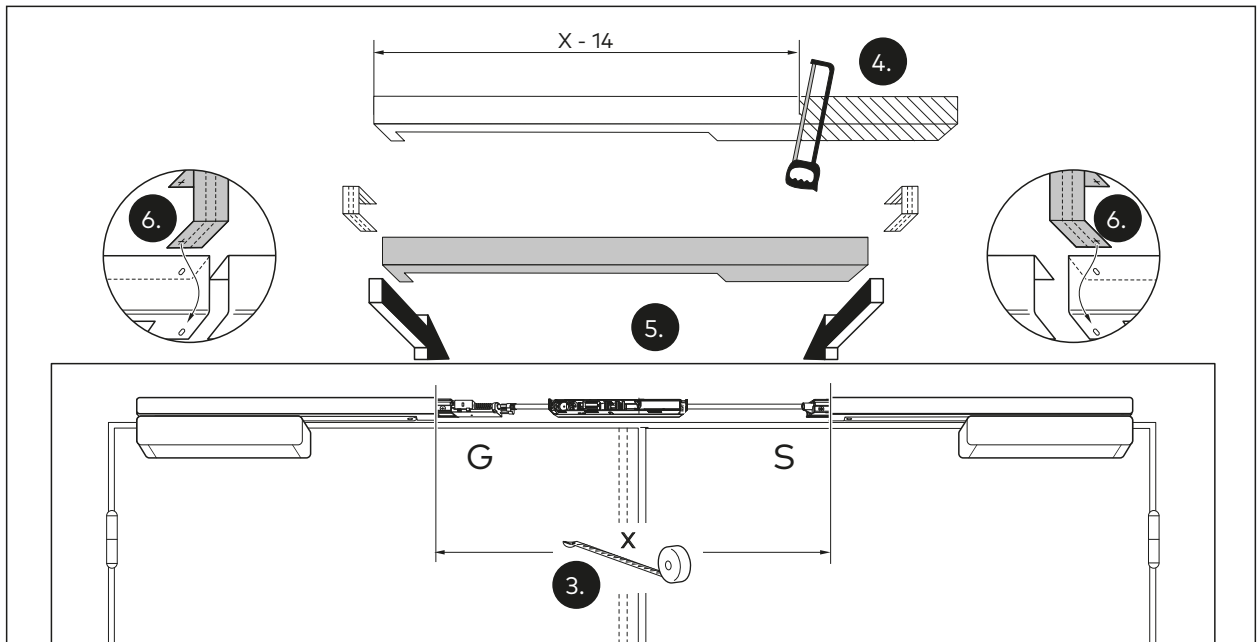
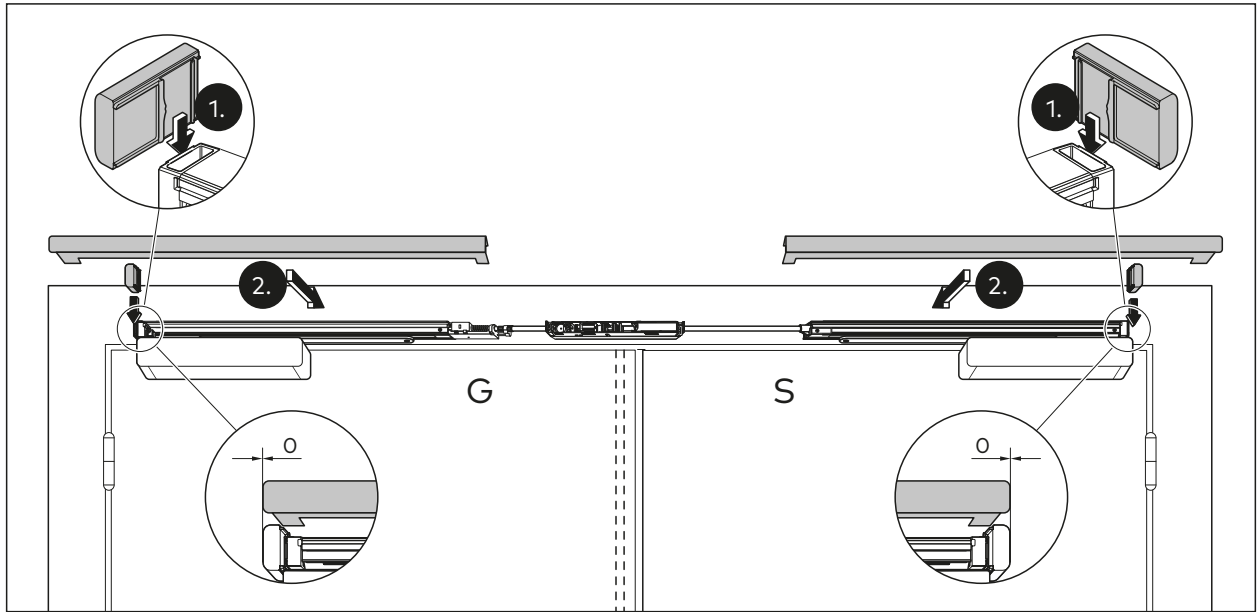
5.3



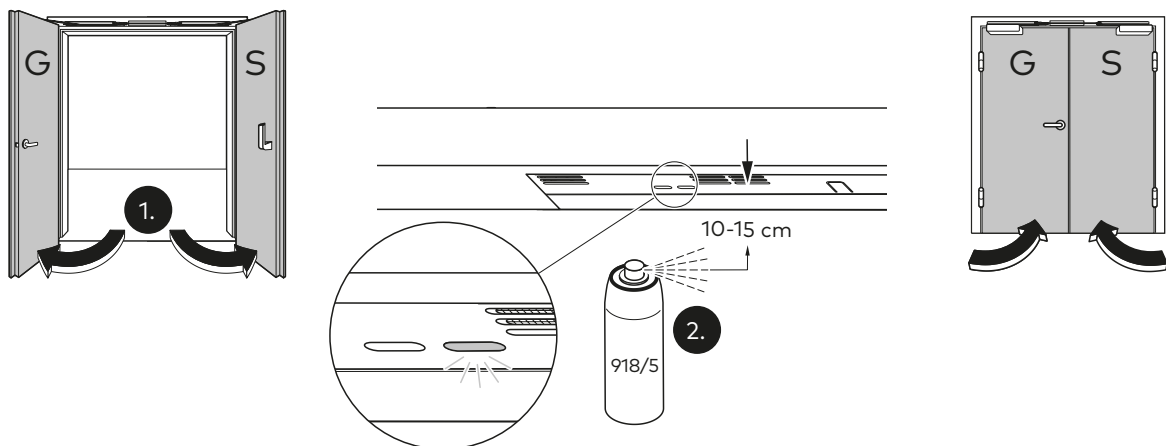
5.4



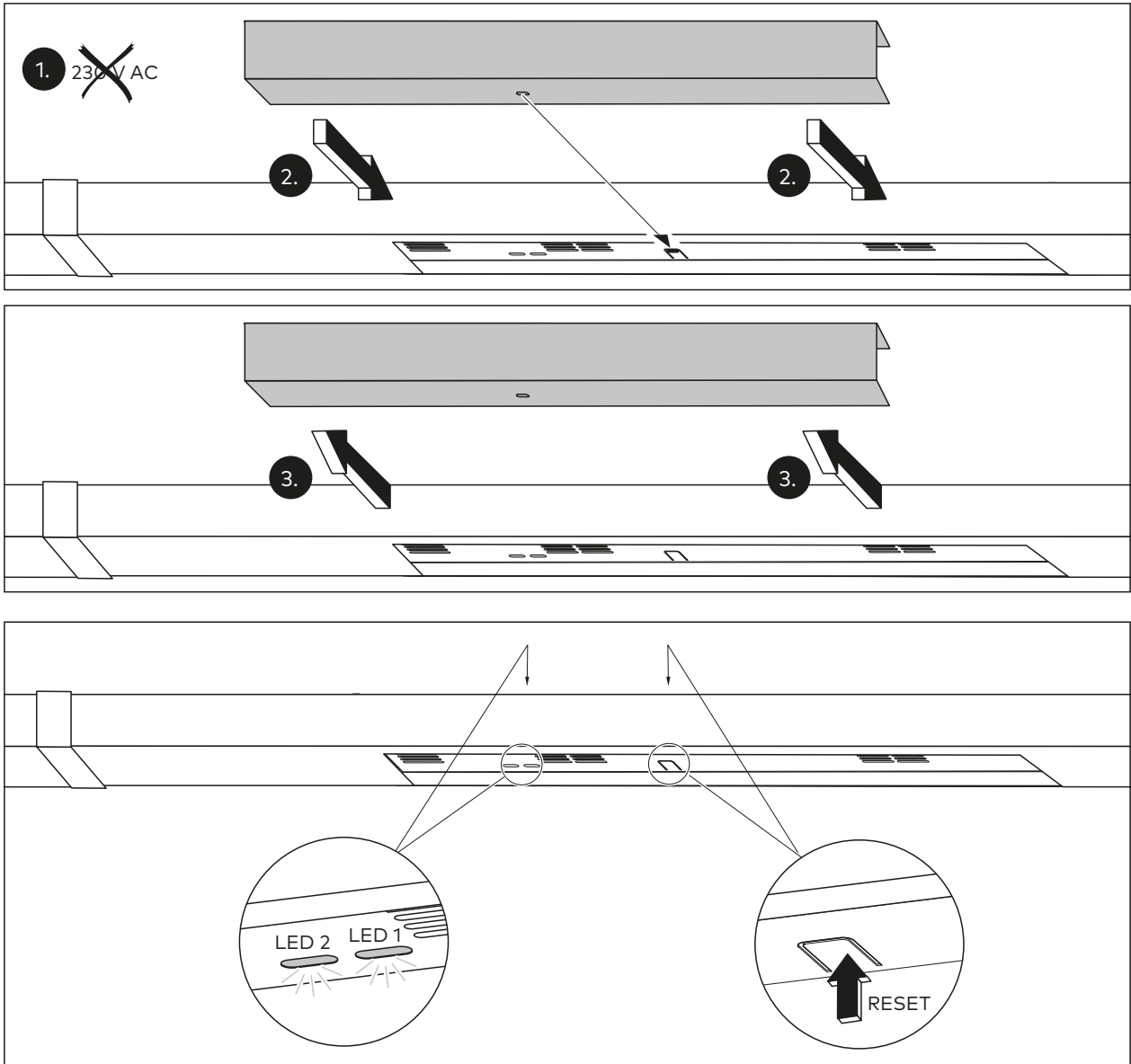
5.5



5.7



6



Änderungen vorbehalten/Subject to change without notice